

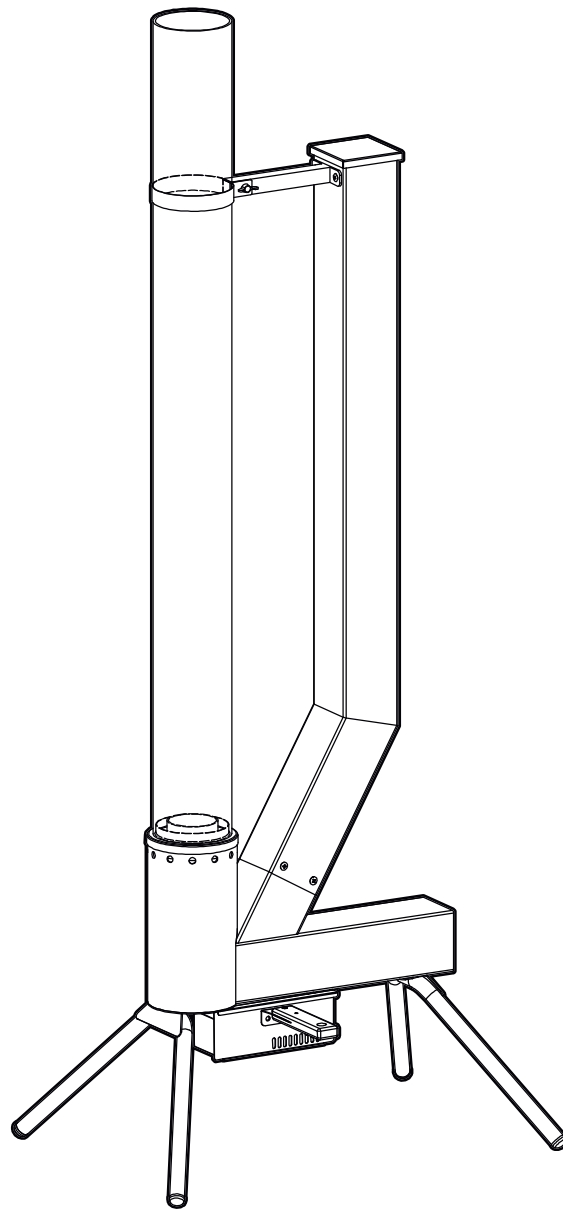


HEAT

OUTDOOR LIVING

PELLET ROCKET HEATER

HOLLUM



MANUAL



Table of content

User Warnings	01
Parts List	02
Assembly Instruction	03
Storage and Care	07
Maintenance	08



User Warnings

- Do not use Fire Pit until you have read the operating instructions and user warnings.
- Fire Pit is not for commercial use.
- Always place Fire Pit on a level, non-combustible surface.
- The use of alcohol, prescription, or non-prescription drugs may impair the consumer's ability to operate Fire Pit safely.
- Do not alter or modify Fire Pit in any manner.
- Serious injury, death, and/or property damage may occur if the instructions are not followed exactly.

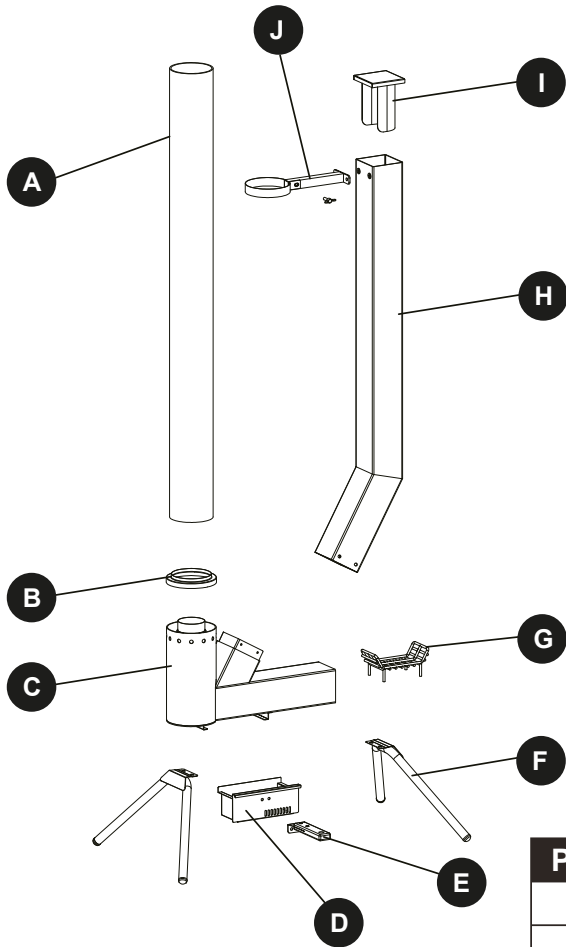
Fire Hazards

- Do not use fire pit indoors, Fire Pit is designed for outdoor use only.
- Never use your fire pit in a building, garage, or any enclosed area. Toxic carbon monoxide can accumulate and cause asphyxiation and possibly death.
- Fire Pit is not to be used in a boat or recreational vehicle.
- Do not use Fire Pit in windy conditions.
- Always use Fire Pit in accordance with all applicable local, state, and national codes, Do not use Fire Pit near automobiles, trucks, vans, or recreational vehicles
- Do not use Fire Pit in any explosive environment.
- Keep the area around the Fire Pit clear and free of any combustible materials, gasoline, or any other flammable liquids.
Do not use gasoline, kerosene, diesel fuel, lighter fluid, alcohol or any other flammable liquid to light or relight Fire Pit.
- Do not wear flammable or loose clothing when operating Fire Pit.
- Keep all electrical cords away from Fire Pit.
- Do not lean over Fire Pit when lighting or when it is in use.
- Avoid breathing smoke from the fire and avoid getting smoke in your eyes.
- Do not store or use LP gas cylinders within 30 feet of fire pits while in operation.
-

Cleaning safety

- Do not move or clean or store Fire Pit until all ashes and coals are extinguished and all surfaces have cooled completely, Never touch ashes or coals to see if they are hot.
All surfaces of the fire pit will become extremely hot when in use., To avoid burns
 - don't touch any part of the fire pit until it's completely cool.
Fire Pit should be inspected and cleaned regularly after each use.
 - Do not use water to extinguish the fire as this could cause damage to the Fire Pit as well as injury to the user.
Exercise the same caution as you would with any open fire. When using your fire pit, never leave it unattended, especially when children and pets are nearby.
 - Fire Pit is not to be operated by children.
 -
-

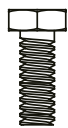
Parts List



PART	DESCRIPTION	QUANTITY
A	Glass Tube	1
B	Glass Tube Bracket	1
C	Combustion Chamber	1
D	Ash - Falling Box	1
E	Habdle	1
F	Foot Tube	2
G	Pellet Tray	1
H	Fuel Tank	1
I	Cover	1
J	Upper Connecting Rod	1

HARDWARE CONTENTS

AA



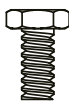
Bolt
M6 X 12
Qty. 10

BB



Wing nut
M6 X 20
Qty. 1

CC



Bolt
M5 X 10
Qty. 2

DD



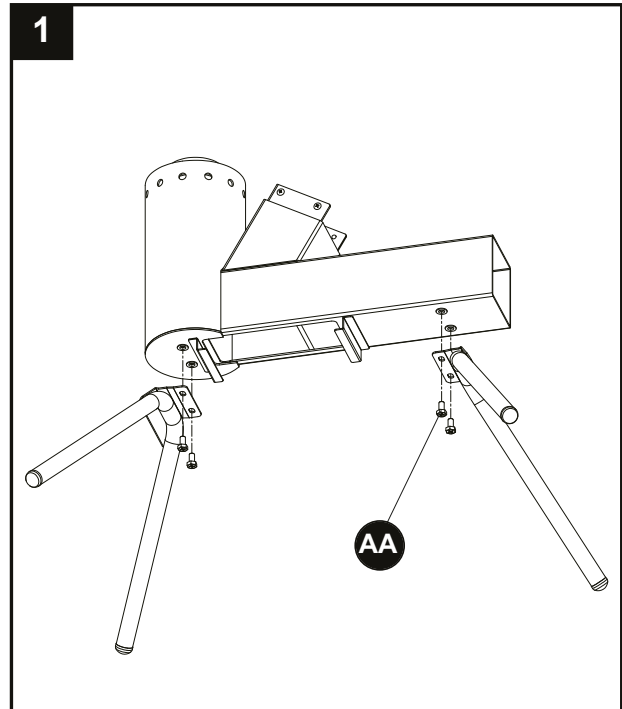
M5 nut
Qty. 2

Assembly Instructions

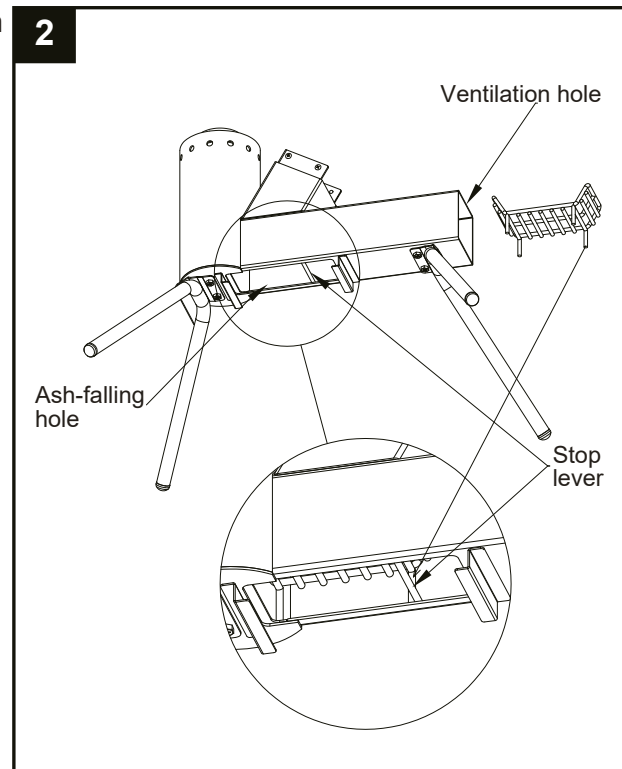
1. Install the foot tubes on the combustion chamber with two M6X12 screws (a total of two foot tubes need to be installed).

Hardware Used

AA Bolt M6 X 12  x 4



2. Put the pellet tray into the rear ventilation hole of the main burner. When the pellet tray touches the stop lever, adjust the pellet tray from the ash - falling hole so that the four feet of the pellet bracket all pass over the stop lever.

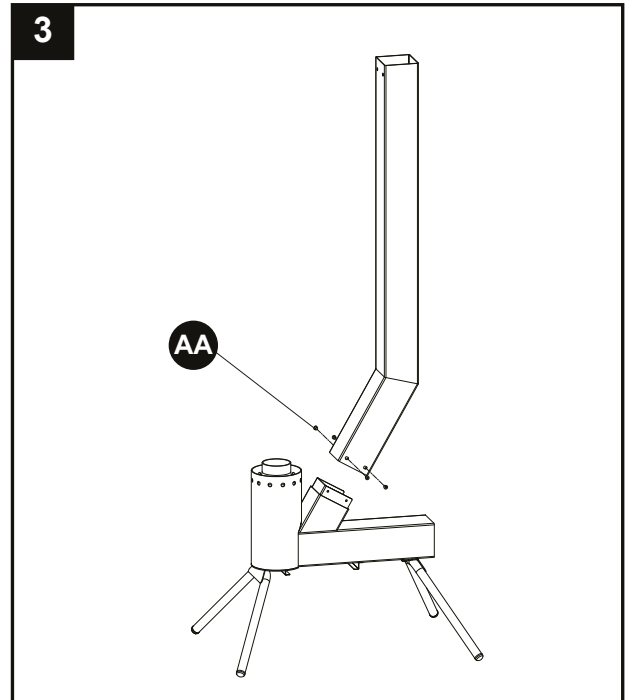


Assembly Instructions

3. Install the fuel tank on the combustion chamber with four M6X12 screws.

Hardware Used

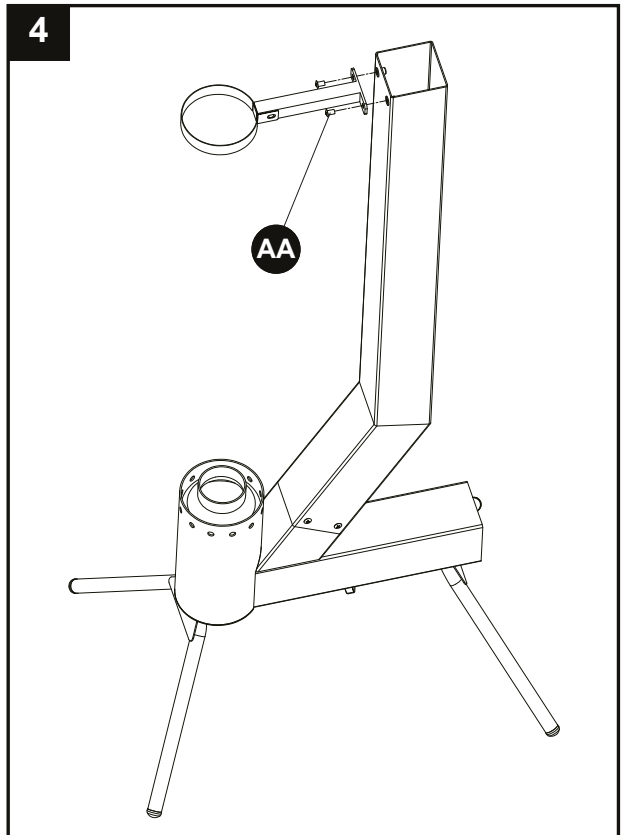
AA Bolt M6 X 12  x 4



4. Install the upper connecting rod on the fuel tank with two M6X12 screws.

Hardware Used

AA Bolt M6 X 12  x 2

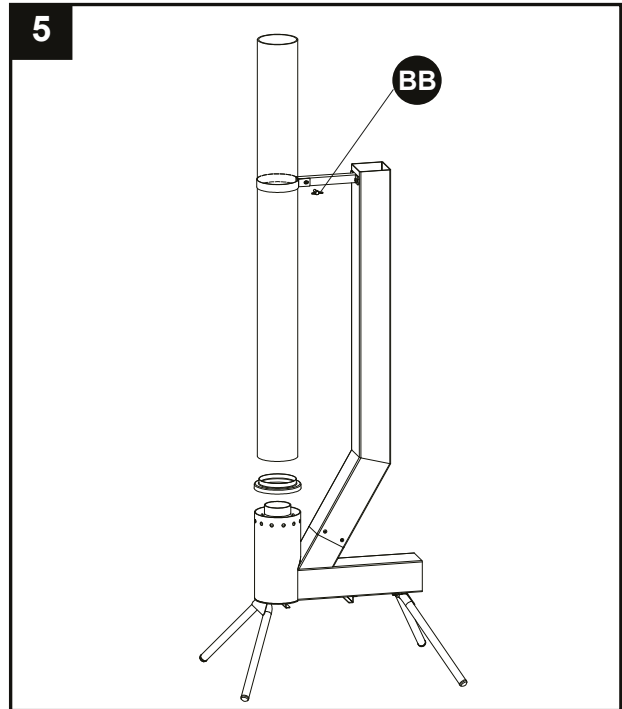


Assembly Instructions

5. Put the glass tube support plate on the round tube of the combustion chamber. Pass the glass tube through the ring of the upper connecting rod, place the lower end of the glass tube on the support plate, and then fix the ring of the upper connecting rod with one M6X20 wing nut.

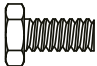
Hardware Used

BB Wing nut
M6 X 20  x 1

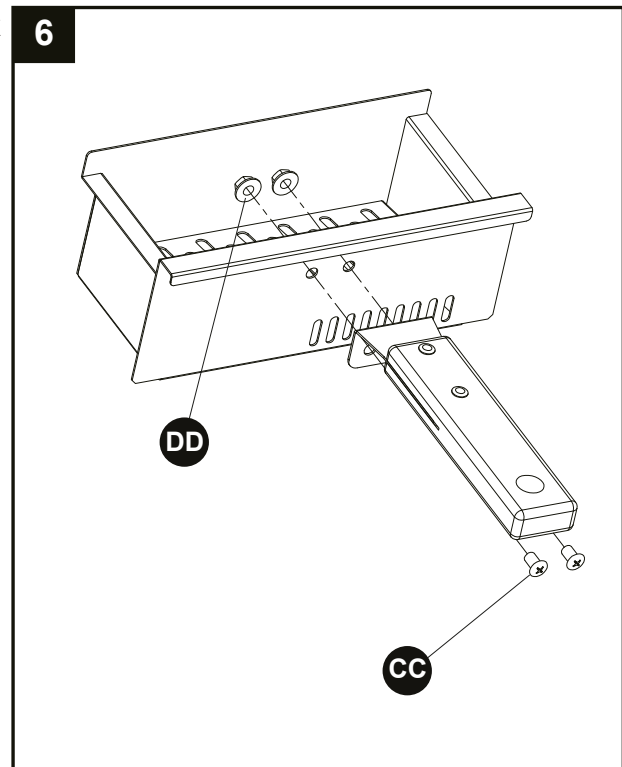


6. Install the handle on the ash - falling box with two M5X10 screws and two M5 flange nuts.

Hardware Used

CC Bolt M5 X 10  x 2

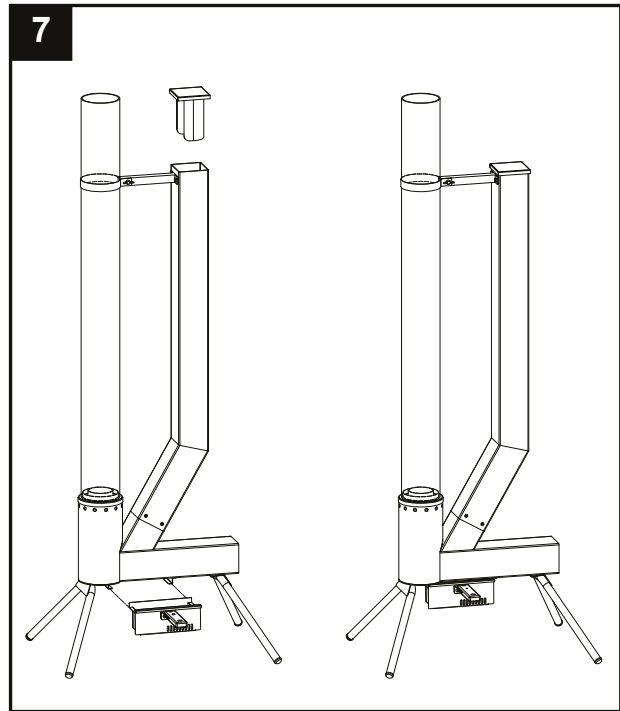
DD M5 nut  x 2



Assembly Instructions

7.1 Insert the ash - falling box into the installation slot at the bottom of the combustion chamber.

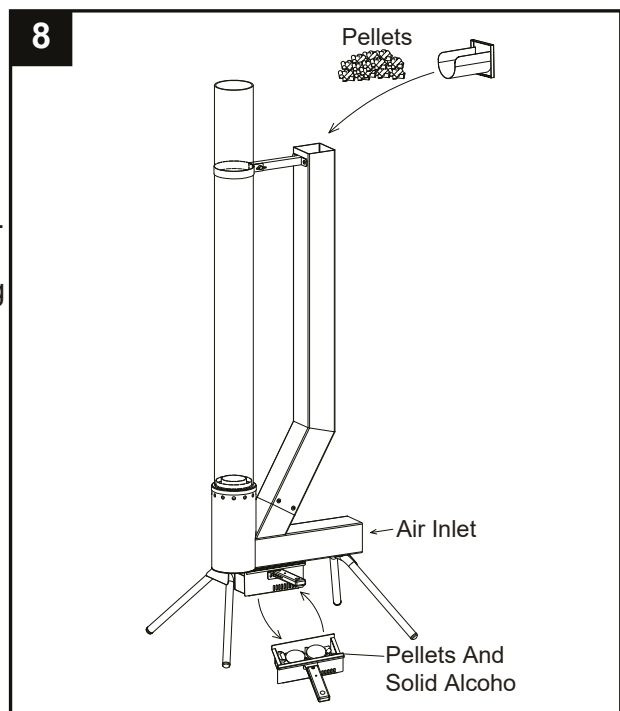
7.2 Insert the cover into the upper part of the fuel tank, paying attention to the direction.



8. Add pellets and ignite:

8-1. Remove the end cap. Use the end cap to scoop the pellets into the pellet tube. After adding the pellets, put the end cap back on top of the pellet tube (make sure the end cap fits flat against the pellet tube).

8-2. Take out the ash - collecting box. Add a layer of pellets to the ash - collecting box and place 2 - 3 pieces of solid alcohol on top of the pellets. After lighting the solid alcohol, put the ash - collecting box back in its original position. You can observe whether the pellets are ignited through the air inlet.





Storage and Care

Before cleaning or storing, please ensure the firewood and charcoal are all burned out and that the fire pit has cooled down to normal temperature. Let the fire pit burn out on its own, or extinguishing it by sand or fire extinguisher.

DO NOT EXTINGUISH FIRE WITH WATER AS IT MAY DAMAGE THE FIRE PIT.

After the fire pit has completely cooled down, rotate to uninstall the fire pit upper part, take out the removable base plate and turn the ash pan over to empty any remaining ash.

Place your fire pit in a cool and dry location. Prolonged exposure to harsh weather will increase rust and discoloration.





Maintenance

Caring for your fire pit correctly will prolong its look and usability.

- The fire pit should not be left outside uncovered when not in use.
 - Do not touch hard or sharp objects, to prevent scratches on the coating.
 - After a period of time use, the coating may appear to be discolored and carbonization due to high temperature/humidity/polluted air, which is a normal phenomenon and does not affect the use.
 - Please ensure the Flame Ring was installed on the fire pit before you use it every time, to prevent the flame retardant jumps around and touching the coating directly, Touching the flame/high temperature for an excessively long time may lead to the coating discoloring, carbonizing, or melting.
 - Always place your fire pit in a cool and dry location.
 - Due to extremely high temperatures, discoloration of the fire pit will occur and is considered normal. Stainless steel has increased resistance to rust; however, it is not rust-proof completely.
 - Prolonged exposure to moisture may result in increased staining and/or rusting. Due to extremely high temperatures the inside of the fire pit may show signs of staining/rust. This is normal and will not affect normal use.
-