



# USER MANUAL DOME PENDANT

---

Operating, maintenance and installation guide.

**! PLEASE NOTE !**

Please read through these instructions carefully before using the device!  
Do not throw away this manual, as it contains your device's serial number!

Thank you for  
purchasing the DOME®!



## General

This user manual is inextricably connected to the DOME® and must always be kept by the user or by another authorised responsible person.

Please read through this user manual carefully. It contains essential information regarding the safety, operation, cleaning and maintenance of the DOME®. Heatsail will not be held responsible for injury and/or damage to people, animals and subjects resulting from non-compliance with the instructions in this user manual.

Heatsail reserves the right to make changes to the product, the technical features and the user manual at any time and without the need for prior notice.

If you decide to sell the DOME®, transfer it to another user or leave it behind with a house move, this manual must be made available to the new user.

We would like to wish you plenty of warm and pleasant evenings with our DOME®!

The HEATSAIL team.

! Do not throw away this manual, as it contains your device's serial number.

## 1. Electrical safety procedures & requirements

The use of the DOME® requires an electrical installation with reliable safety grounding. The installation's electrical safety can only be guaranteed if the device has been correctly connected to an earthing system built in accordance with the safety instructions. A preliminary inspection is absolutely essential. In the event of any uncertainty, a careful inspection must be made by a qualified and authorised technician. Heatsail will not be held responsible for injury and/or damage resulting from an ungrounded installation.

The installation of the DOME®'s electrical components requires a mains connection of 230V-50/60Hz (16 Amp fuse EN 30 mA RCD); the connection must be properly implemented in accordance with the applicable IEC-CEI standards. Please note: statutory and other regulations may apply locally.

The electrical power supply will need to be interrupted before the connection or other work on the electrical components can be carried-out and everyone must satisfy themselves that the power can't be switched on again accidentally.

The use of adapters, power strips and extension leads may not be used for the DOME®'s electrical supply. A switch must be installed between the DOME® and the fuse box at all times. Non-compliance with these instructions may compromise the safety of the device. Heatsail will not be held liable for any damage resulting from this.

## 2. Safety

A **compulsory minimum clear height of 1.8 meters** must be observed for the DOME®, measured between the ground and bottom of the lowest heating element.

Children below the age of 3 must be kept away from the DOME® unless under full-time supervision.

Children aged between 3 and 8 can only operate the DOME® providing this has been placed in its normal operating position and providing they have been given clear instructions regarding the DOME®'s safe use and that they are capable of properly assessing any risks. They are not permitted to push and pull the plug in and out, or to clean the DOME® and carry out maintenance activities.

The DOME® must be kept out of reach of anyone incapable of assessing the risks which can arise from the (improper) use of electrical equipment.

**CAUTION - The heat can rise to extremely high temperatures and can cause burns. The DOME® should never be touched as soon as it has been switched on.**

**Particular attention should be paid when children and vulnerable people are present.**

The DOME\* will remain hot for a considerable period of time after it has been switched off. Do not touch the DOME\* for a period of 30 minutes after it has been switched off. Please note! Caution should be exercised at all times. The grill does not offer protection against the heat.

The DOME\* must never be used when the glass is damaged.

The DOME\* may not be used with a timer or any device which can automatically switch on the heating, as there is a risk of fire if the DOME\* has been incorrectly positioned.

Never use the DOME\* in the immediate vicinity of a bath, Jacuzzi, shower, swimming pool or conservatory.

Never position the DOME\* close to curtains, canopies or other flammable materials. Never cover it up without pulling the plug from the socket!

The DOME\* must never be touched with naked, wet or moist body parts.

The DOME\* is made up of 6 high radiance ceramic heating elements, mounted in a certain direction on a reflective plate. As soon as the ceramic elements begin to heat up, the full operating temperature will be reached within a time span of 10 minutes. Please note: there is no noticeable glow in the infrared area.

Never use the DOME\* to light anything. The ceramic elements are fragile and must be handled with due care. The same also applies to the glass casing.

Heatsail will not be held responsible for damage resulting from non-compliance with the instructions regarding use and maintenance.

### 3. Maintenance

#### 3.1 Cleaning

Your DOME\* must be cleaned on a monthly basis.

The electrical supply must be disconnected via the installation's mains switch or by disconnecting the plug before cleaning activities can commence. Cleaning may only be done with a dry and soft cloth. Do not use any abrasive cloths. Do not use detergents. Using a high pressure and/or steam cleaner is prohibited. Cleaning is only permitted once the DOME\* has completely cooled down.

Non-compliance with these rules may compromise the safety of the device. Heatsail will not be held responsible for damage resulting from non-compliance with the instructions regarding cleaning.

#### 3.2 Replacing the bulb

Your DOME\* is supplied with a R7S 230V/120 Watt (78mm) halogen bulb as standard. The maximum permitted output power is 120 Watt.

The electrical supply must be disconnected via the installation's mains switch or by disconnecting the plug before the bulb can be replaced.

You can replace the bulb by carefully sliding the glass upwards. Use tools like a screwdriver to hold the glass up. The bulb is held in place by a spring. Take the bulb out by first pushing it to the left or right and thereby releasing it from its socket. Subsequently insert another bulb. Please be careful never to touch the halogen bulb with your own bare fingers, as this will significantly reduce the bulb's life.

#### 3.3 Inspection

The DOME\* must be subjected to an annual inspection.

The user is not authorised to carry out his own inspections and repairs. Inspection of the DOME\* must exclusively be carried out by qualified and authorised technicians, in accordance with Heatsail's applicable standards and regulations. Qualified people are understood to mean: people who have completed a technical training course for the installation of outdoor heating and who are familiar with the applicable electricity laws and regulations.

The electrical supply must be disconnected via the installation's mains switch or by disconnecting the plug before any work can be carried out.

- All repairs must be requested via Heatsail.
- A repair is only valid when original parts have been used.
- The entire control panel should be returned in case of a defective cable, once written approval has been provided by Heatsail.

Heatsail will not be held responsible for damage resulting from non-compliance with the instructions regarding maintenance.

## 4. Guarantee conditions

### 4.1 Guarantee

The original invoice will serve as your proof of guarantee for the legal two year guarantee. This guarantee does not affect the buyer's rights by virtue of the national legislation regarding the sale of consumer goods.

This guarantee is only valid if the DOME®'s installation and maintenance have been carried out in accordance with the applicable standards and regulations and instructions for the installation, use, maintenance and cleaning of the product, by qualified people who satisfy the legal requirements.

The guarantee term will commence from the date the goods were delivered.

Any replacement or repair will principally be done for free, but the shipping costs will be at the buyer's expense, unless agreed otherwise. Any defective goods will be sent to Heatsail by the buyer, once Heatsail has granted its written permission to do so. Heatsail will not award any compensation for any direct or indirect damage resulting from, or relating to, using the product.

No compensation will be awarded for the period during which the product isn't working.

The replaced parts will be guaranteed for the remainder of the guarantee period, from the date the goods are delivered.

### 4.2 Guarantee exclusions

- The conditions for activating the guarantee were not met.
- The parts appear to be defective as a result of negligence or inappropriate use or incorrect maintenance.
- The installation has not been carried out in accordance with the legal standards and not in accordance with the instructions provided in the user manual.
- Any damage caused as a result of weather conditions, chemical and electrochemical reactions, improper use, natural disasters, electrical discharge, fire, a defective electrical installation, modifications or mishandling to packaging, the handle and the electrical wiring.

- Any damage caused by transport.

We recommend you thoroughly check the goods upon receipt, allowing you to instantly notify the seller of any possible damage and to record any such damage on the transport document and the courier's copy. For example:

- Physical damage after the installation, including glass breakage, scratches on the DOME® and accessories.
- Tinkering with the DOME® and/or other causes which can't be attributed to the product's manufacture.
- The use of non-original replacement parts.
- Damage caused through normal wear and tear.

### 4.3 What to do in case of a fault?

In case of a fault, you must contact Heatsail immediately, and no later than two months after the fault was first found, for a repair or replacement. The guarantee can only be initiated after written permission has been granted.

Heatsail declines any form of liability for any possible damage and/or injury which has been either directly or indirectly caused to people, animals or objects as a result of non-compliance with the instructions in the user manual and which specifically concern the warnings in relation to the installation, use and maintenance of the device.

## 5. Applicable law – competent court

The general terms and conditions and the agreement are governed by Belgian law. The courts of the judicial district of Antwerp shall have exclusive jurisdiction to settle any dispute arising from the agreement.

## 6. Visual installation & connection diagrams

## 7. Operation

## 8. Troubleshooting

## 6. Visual installation

Open the box and follow these instruction guidelines for a quick installation.

6.1 If you have bought the Dome with suspension rod goto page 12, otherwise continue:



1. Never hold the Dome by the power cable. The internal connections might become loose and you will have to return the Dome.
2. Unscrew the cap with a few turns, but leave it on. It has a build in gripper. By pushing the cap down you can adjust steel cable and the the height of the the Dome. Minimum required height is 1.8 m. above the ground, maximum height 2m. Fix the cap again when done.
3. You can cut the cable when too long. Leave a few centimeters for safety.



The other side of the cable has a loop so you can easily hang the Dome to different kind of ceilings.

Never hang the Dome closer than 25cm from the ceiling, walls or other surroundings.

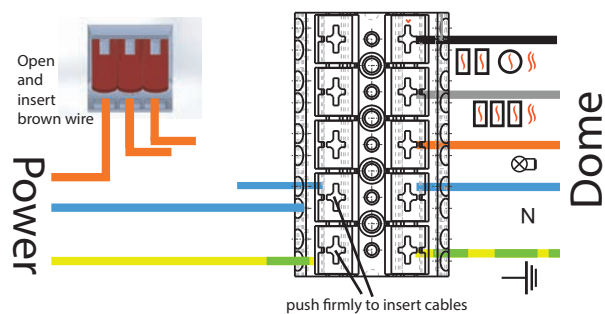
## Connecting the control box:

The control box is a black case you can easily fix against the wall or ceiling.

It has the advantage of a remote that lets you control the light and its intensity, and switches the heating in 2 levels. The control box has an IP43 rating, if you use the box in the open you will need to order an extra joint to make the box IP65. The joint will fit in the lid. The lid closes with 6 delivered screws.

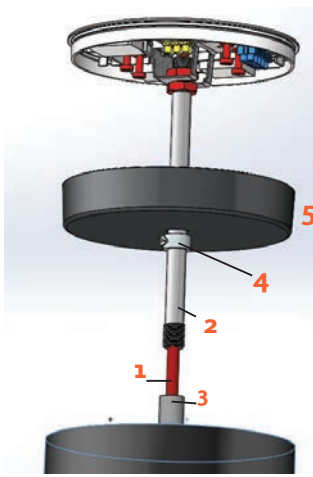
**BEWARE:** Because off European law it is forbidden to rely on an electronic means to switch heaters on and off, so you will need to install a separate power switch further down the circuit.

The connection of the control box for the Pendant version is as follows:



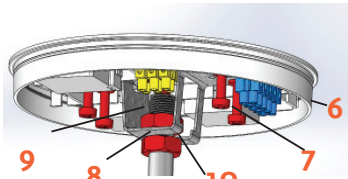
**PUSH FIRMLY WITH A SCREWDRIVER ON THE CONNECTOR BLOCK,  
THE WIRES SHOULD BE WELL INSERTED!**

## 6.2 If you have bought the Dome with suspension rod:



Never lift the Dome by the power cable. The internal connections might become loose and you will have to return the Dome.

The suspension rod (2) is made to order when you did give the height of the floor to ceiling with your order. Take it out of the box and put the cable (1) of the Dome through it. Then while holding the cable still, screw the rod onto the Dome (3). Slide the ring (4) and cover (5) over the rod.



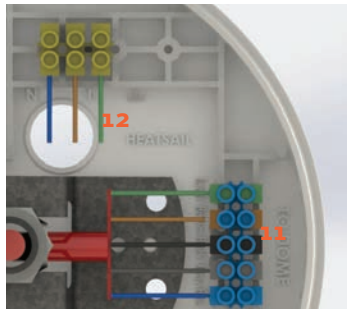
Now fix the Top plate (6) to the ceiling with 4 screws (7). Put the the two nuts (8&9) on the rod, but leave around 1cm open between them. Now lift the complete Dome up and hang the Dome on the bracket with one nut below and one on top (10) Tighten the upper nut firmly.

Now tighten the two nuts firmly.

### Electric connection:

Finally connect the cable coming from the Dome to the connection box. Match the wire colors by the wires already connected to the connection block. (11)

Now connect the power in to the 3 pin connector block, respecting the colors of the wires already connected. (12)



Heatsail DOME®

## 7. Operation

When you switch on the Dome, it takes up to 30 minutes before the Dome reaches it full temperature. Also when switch off, it may take up to 40 minutes before the Dome has completely cooled down.

If you have purchased the control box, the remote buttons work as follows:



BUTTON 1 (LIGHT) : Press 1 to switch on, 0 to switch off.  
Hold '1' to dim, press 1 again to stop dimming. The system will

BUTTON 2 (HEATER 1) : Press 1 to switch on, 0 to switch off.

BUTTON 3 (HEATER 2) : Press 1 to switch on, 0 to switch off.

BUTTON G: Not used

**Enjoy your DOME Heater!**

User manual

## 8. Troubleshooting

### 1) The light does not work:

Switch of power. Lift the glass of the the Dome upwards. put something underneath to keep it upwards. Now you have access to the halogen bulb. Verify it is well inserted and not broken. If you need to change the bulb replace it with a standard R7S 78mm, 120W.

Use a cloth or gloves to replace the bulb, touching it with hands shortens the life considerably.

If the problem is not solved, verify that the blue and brown wires are well inserted in the connection block. See picture on p12.

If still not working try to reprogram the remote. (see next page)

### 2) No heat. (none of the heating elements is working) Most probably there is no power. Verify all wires are well connected. (See P12)

### 3) Heater is only partly working.

(either 3 side elements, or 2 side elements and bottom element)

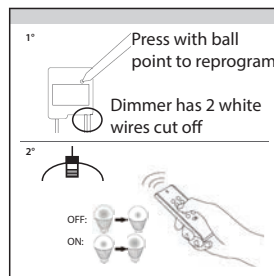
- Black or Grey wire not well connected. See P12
- Open control box, verify that the module makes a clicking sound when switching on or off. If on, there should be a small red light on the module.
- If no 'click', try to reprogram the module, see next page. There are 3 modules in the control box, 2 are exactly the same and responsible for heater 1 and 2.

### 4) Nothing works.

- Verify all wires are well connected and inserted in the connector block. See P.12
- Try to reprogram the remote (see next page)

## Reprogramming the remote

### Reprogram the light



### Open the control box and locate the dimmer module. It has 2 white wires cut-off.

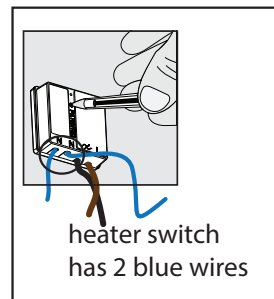
- (1) Switch on the mains power
- (2) Beware of any exposed wiring
- (3) The LED indicator on the receiver will be permanently lit when there is power.  
! If there is no lit LED indicator, either the light is disconnected or bulb is broken!

### Register transmitters with the recipient

- (1) Press on the connect button for 1 second with a pen. The search mode will be active for 15 seconds and the LED indicator on the receiver will flash slowly.
- (2) Send an on-signal by pressing the '1 - ON' button on the remote whilst the search mode is active in order to store the applicable transmission code in the receiver's memory. This will normally be the button at the top left. You can also choose a different button.
- (3) The connected lights will switch on/off 2x to confirm the code has been stored.

Repeat this procedure to register several remotes, if so required. The receiver can store 6 different transmission codes in its memory. The memory will be retained if you install the receiver somewhere else or if the power goes off.

### Reprogram the Heater modules



### Open the control box and locate the heater switches. They have 2 blue wires each

- (1) Switch on the mains power
- (2) Beware of any exposed wiring

### Register remotes with the switches

- (1) Press on the connect button for 1 second with a pen. The search mode will be active for 15 seconds and the LED indicator on the receiver will flash slowly.
- (2) Send an on-signal by pressing the '2 - ON' for heater 1 and '3 - ON' button for heater 2 on the remote whilst the search mode is active in order to store the applicable transmission code in the receiver's memory. This will normally be the button at the top left. You can also choose a different button.

The led light on the module wil switch on to confirm the code has been stored.

Repeat this procedure to register several remotes, if so required. The receiver can store 6 different transmission codes in its memory. The memory will be retained if you install the receiver somewhere else or if the power goes off.



# GEBRUIKERSHANDLEIDING

Bedienings-, onderhouds-, installatiehandleiding.

## ! OPGELET !

Lees de handleiding aandachtig alvorens het apparaat te gebruiken!  
Gooi deze handleiding niet weg, ze bevat het serienummer van uw toestel!

Wij danken u voor  
uw aankoop van DOME®!



## Algemeen

Deze gebruiksaanwijzing is onlosmakelijk verbonden met de DOME en dient altijd bewaard te worden door de gebruiker of door de bevoegde verantwoordelijke.

Lees de gebruiksaanwijzing aandachtig door. Ze bevat essentiële informatie over veiligheid, gebruik, reiniging en onderhoud van de Dome. Heatsail kan niet aansprakelijk worden gesteld voor schade aan personen, dieren en voorwerpen die het gevolg is van niet-naleving van de voorschriften in de gebruiksaanwijzing.

Heatsail behoudt zich het recht voor om op ieder moment en zonder voorafgaande mededeling eventuele wijzigingen aan te brengen aan het product, de technische kenmerken en de gebruiksaanwijzing.

Indien u de DOME doorverkoopt, overdraagt aan een andere gebruiker of achterlaat bij een verhuis, dient de handleiding ter beschikking te worden gesteld van de nieuwe gebruiker.

Wij wensen U veel warme en aangename avonden met onze DOME!

Het HEATSAIL team.

! Gooi deze handleiding niet weg, ze bevat het serienummer van uw toestel.

## 1. Elektrische veiligheidsvoorschriften & vereisten

Het gebruik van de DOME vereist een elektrische installatie met deugdelijke veiligheidsaarding. De elektrische veiligheid van de installatie is slechts verzekerd indien de installatie correct is aangesloten op een aardingsstelsel dat volgens de veiligheidsvoorschriften is gebouwd. Een voorafgaande controle is noodzakelijk. In geval van twijfel, dient een nauwkeurige controle te worden verricht door gekwalificeerde en geautoriseerde personen. Heatsail is niet verantwoordelijk voor schade die het gevolg is van een niet geaarde installatie.

De installatie van elektrische onderdelen van de DOME vergt een netaansluiting van 230V-50/60Hz (zekering 16 Amp EN 30 mA verliesstroomschakelaar); de aansluiting dient naar behoren te worden uitgevoerd in overeenstemming met de geldende IEC-CEI-normen. Let op: lokaal kunnen wettelijke en andere voorschriften gelden.

Alvorens de verbinding of andere werkzaamheden aan de elektrische onderdelen te realiseren moet de elektrische stroomtoevoer worden onderbroken en moet men zich ervan vergewissen dat de stroom niet per ongeluk opnieuw ingeschakeld kan worden.

Voor de stroomvoorziening van de DOME op het elektrische net, is het gebruik van verloopstekkers, stekkerdozen en verlengsnoeren niet toegestaan. Er moet steeds een schakelaar geïnstalleerd worden tussen de DOME en de zekeringskast. Niet-naleving van deze voorschriften kan de veiligheid van het apparaat in gevaar brengen. Heatsail kan niet aansprakelijk worden gesteld voor de schade die hieruit voortvloeit.

## 2. Veiligheid

De **verplichte minimum vrije hoogte** van de Dome bedraagt **1.8 meter**, gemeten tussen de grond en de onderkant van het onderste verwarmingselement.

Kinderen jonger dan 3 jaar moeten weg gehouden worden van de Dome tenzij onder voltijdse supervisie.

Kinderen tussen 3 en 8 jaar zullen de Dome enkel mogen bedienen onder voorbehoud dat deze geplaatst is in zijn normale werkingspositie en zij duidelijk richtlijnen hebben ontvangen omtrent het veilig gebruik van de DOME en de risico's goed kunnen inschatten. Het is hen niet toegestaan de stekker in en uit te trekken of de DOME te reinigen en onderhoudshandelingen te verrichten.

De DOME buiten het bereik houden van elke persoon die niet in staat is de gevaren in te schatten

die kunnen ontstaan door het (oneigenlijk) gebruik van elektrische apparaten.

**OPGELET – De verwarming loopt op tot zeer hoge temperaturen en kan brandwonden veroorzaken. De DOME mag in geen enkel geval aangeraakt worden zodra hij ingeschakeld wordt.**

**Bijzondere attentie moet gegeven worden wanneer kinderen en kwetsbare personen aanwezig zijn.**

Na uitschakeling blijft de DOME nog warm voor een aanzienlijke periode. Raak de DOME niet aan gedurende een periode van 30 minuten na uitschakeling. Let op! Voorzichtigheid blijft geboden. De grille biedt geen bescherming tegen de hitte.

De Dome nooit gebruiken wanneer het glas beschadigd is.

De Dome niet gebruiken met een timer of eender welk ander toestel dat de verwarming automatisch kan aanschakelen, aangezien er risico op brand is als de Dome verkeerd gepositioneerd staat.

Gebruik de Dome nooit in de onmiddellijke omgeving van een bad, jacuzzi, douche, zwembad of serre.

Zet de Dome nooit dicht bij gordijnen, overkappingen of andere brandbare materialen. Dek hem nooit af zonder de stekker uit het stopcontact te trekken!

Het is verboden de DOME met blote, natte of vochtige lichaamsdelen aan te raken.

De DOME bestaat uit 6 hoog stralende keramische verwarmingselementen gemonteerd in een bepaalde richting op een reflecterende plaat. Van zodra de keramische elementen beginnen op te warmen, wordt de volledige bedrijfstemperatuur bereikt binnen een tijdsduur van 10 minuten. Let op: er is geen merkbare gloed in het infrarood gebied.

Gebruik de DOME nooit om wat dan ook aan te steken. De keramische elementen zijn breekbaar en dienen met de nodige voorzichtigheid behandeld worden. Dit geldt eveneens voor het glazen omhulsel.

Heatsail is niet verantwoordelijk voor schade die het gevolg is van het niet naleven van de voorschriften betreffende gebruik en onderhoud.

## 3. Onderhoud

### 3.1 Reiniging

Uw DOME maandelijks reinigen.

Alvorens deze te reinigen, moet de stroomvoorziening losgekoppeld worden via de hoofdschakelaar van de installatie of via het loskoppelen van de stekker. Reiniging enkel toegelaten met een droge en zachte doek. Gebruik geen schurende doeken. Gebruik geen reinigingsmiddelen. Het gebruik van hoge druk- en/of stoomreiniger is verboden. Reiniging enkel toegelaten indien de DOME volledig is afgekoeld.

Niet-naleving van deze voorschriften kan de veiligheid van het toestel in gevaar brengen. Heatsail is niet verantwoordelijk voor schade die het gevolg is van het niet naleven van de voorschriften betreffende reiniging.

### 3.2 Vervangen van de lamp

Uw Dome wordt standaard geleverd met een R7S halogeenlamp van 230V/120 Watt (78mm). Het maximum toegelaten vermogen is 120 Watt.

Alvorens deze lamp te vervangen, moet de stroomvoorziening losgekoppeld worden via de hoofdschakelaar van de installatie of via het loskoppelen van de stekker.

U kunt de lamp vervangen door voorzichtig het glas naar boven te schuiven. Gebruik gereedschap, bv een schroevendraaier om dit glas naar boven te houden. De lamp wordt vastgehouden in zijn houder door een veertje. Neem de lamp eruit door ze eerst naar links of rechts te duwen zodat ze vrij komt uit de houder. Steek er vervolgens een andere in. Let op dat u de halogeen lamp zelf nooit aanraakt met uw blote vingers, dit verkort de levensduur van de lamp aanzienlijk.

### 3.3 Inspectie

De DOME dient jaarlijks aan een inspectie te worden onderworpen.

De gebruiker is niet bevoegd eigenhandig inspectie en herstellingen uit te voeren. Inspectie van de DOME dient uitsluitend verricht te worden door gekwalificeerde en geautoriseerde personen, conform de geldende normen en voorschriften van Heatsail. Met gekwalificeerde personen bedoelt men: personen die een technische opleiding hebben genoten voor het plaatsen van buitenverwarming en vertrouwd zijn met de geldende elektriciteitswetten.

Alvorens werken te verrichten aan de DOME, moet de stroomvoorziening losgekoppeld worden via de hoofdschakelaar van de installatie of via het loskoppelen van de stekker.

- Elke reparatie dient te worden aangevraagd via Heatsail.
- Een reparatie is slechts geldig indien originele onderdelen worden gebruikt.

- Bij een defecte kabel de hele besturing terugsturen na schriftelijke toestemming van Heatsail.

Heatsail is niet verantwoordelijk voor schade die het gevolg is van het niet naleven van de voorschriften betreffende het onderhoud.

## 4. Garantievoorwaarden

### 4.1 Garantie

De originele factuur geldt als garantiebewijs voor de wettelijke garantie van 2 jaar. Deze garantie laat de rechten van de koper krachtens nationale wetgeving inzake verkoop van consumptiegoederen, onverlet.

Deze garantie is slechts geldig indien de installatie en het onderhoud van de DOME is verricht conform de geldende normen en voorschriften en de handleiding voor installatie, gebruik, onderhoud en reiniging van het product, door gekwalificeerde personen die voldoen aan de wettelijke eisen.

De garantietermijn begint te lopen vanaf de datum van levering van de goederen.

De vervanging of reparatie gebeurt in principe gratis, de verzendkosten zijn ten laste van de koper tenzij anders overeengekomen. Defecte goederen worden na schriftelijke toestemming van Heatsail door de koper opgestuurd naar Heatsail. Heatsail kent geen vergoeding toe voor rechtstreekse of onrechtstreekse schade voorkomend uit of verband houdende met het gebruik van het product.

Voor de periode tijdens de welke het product niet werkt, wordt geen vergoeding toegekend.

De vervangen onderdelen worden gegarandeerd gedurende de resterende garantieperiode vanaf de datum van levering van de goederen.

### 4.2 Uitsluiting van garantie

- De voorwaarden voor activering van de garantie zijn niet nageleefd.
- De onderdelen blijken defect te zijn door slordigheid of nalatigheid bij het gebruik of door verkeerd onderhoud.
- De installatie is niet conform de wettelijke normen verricht en niet conform de voorschriften in de gebruiksaanwijzing.

- Schade veroorzaakt door weersomstandigheden, chemische en elektrochemische inwerking, oneigenlijk gebruik, natuurrampen, elektrische ontlading, brand, een defecte elektrische installatie, wijzigingen of het zelf schade aan pakkingen, de handgreep en de elektrische bedrading.
- Alle schade veroorzaakt door vervoer.

Wij bevelen u daarom aan om de goederen bij ontvangst nauwkeurig te controleren en om eventuele schade onmiddellijk te melden aan de verkoper en aan te geven op het vervoerdocument en op de kopie voor de vervoerder. Zoals ondermeer:

- Fysische schade na installatie zoals glasbreuk, krassen e.d. op de DOME en toebehoren.
- Sleutelen aan de DOME en/of andere oorzaken die niet aan de vervaardiging van het product te wijten zijn.
- Het gebruik van niet originele vervangstukken.
- Schade veroorzaakt door normale slijtage.

#### 4.3 Wat te doen bij defect?

Bij defect wendt u zich onmiddellijk en niet later dan twee maanden na het defect tot Heatsail voor een reparatie of een vervanging. Enkel na schriftelijke toestemming kan de garantiebehandeling in werking worden gesteld.

Heatsail wijst elke vorm van aansprakelijkheid af voor eventuele schade die direct of indirect aan personen, dieren of voorwerpen wordt berokkend door het niet nakomen van de voorschriften in de gebruiksaanwijzing en die vooral de waarschuwingen betreffende de installatie, gebruik en onderhoud van het apparaat betreffen.

### 5. Toepasselijk recht – bevoegde rechtbank

De algemene voorwaarden en de overeenkomst worden beheerst door het Belgisch recht. De rechtbanken van het gerechtelijk arrondissement Antwerpen zijn uitsluitend bevoegd om kennis te nemen van elk geschil dat voortvloeit uit de overeenkomst.

### 6. Visuele installatie & aansluitingsschema

#### 7. Bediening

#### 8. Probleemoplossingen

### 6. Visuele installatie en aansluitingen

Indien u de Dome met ophangstang hebt gekocht, ga dan door naar pagina 25.



1. Neem de Dome nooit vast bij de stroomkabel. De interne aansluitingen zouden kunnen losraken en uw Dome onbruikbaar maken

2. Draai deze schroef een slag los. Door de kap naar beneden te duwen is het mogelijk de stalen kabel van lengte aan te passen en de hoogte van de Dome te regelen. Minimum hoogte is 1.8 m. boven de grond, en maximum hoogte is 2m. Draai de schroef terug vast.

3. U kan de staalkabel afknippen wanneer hij te lang is. laat een paar centimeter als veiligheid



Het andere eind van de kabel heeft een lus, wat een eenvoudige ophanging mogelijk maakt.

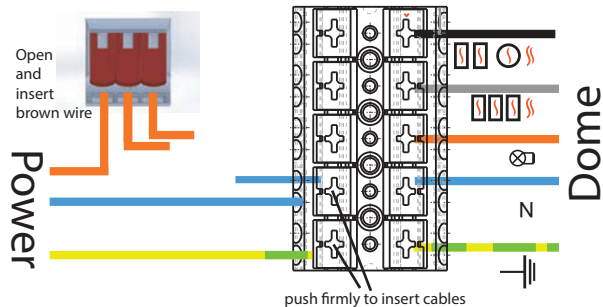
Hang de Dome nooit minder dan 25cm van het plafond of andere brandbare oppervlakten.

### Aansluiting met Dome Besturing:

De besturing is een zwarte doos die eenvoudig tegen de wand of plafond te bevestigen is. Door middel van deze besturing kan met een afstandbediening de verlichting schakelen en dimmen, en de verwarming in 2 standen aan- en uitschakelen. Deze aansluitdoos voldoet aan IP43, Voor IP65 (in openlucht) dient u een aparte dichting te bestellen.

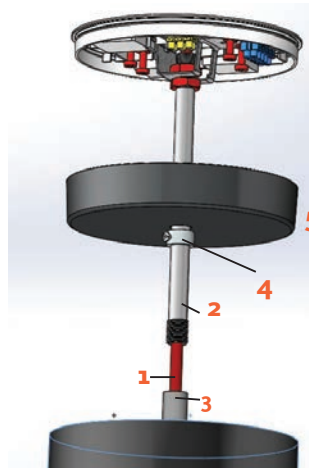
**OPGELET:** De Europese wetgeving verbiedt het van enkele elektronische schakelaars te gebruiken om verwarming aan en uit te schakelen, u zal dus nog een extra schakelaar ervoor moeten installeren om er zeker van te zijn dat de stroomtoevoer 100% kan onderbroken worden.

De aansluitingen van de besturing zijn als volgt:



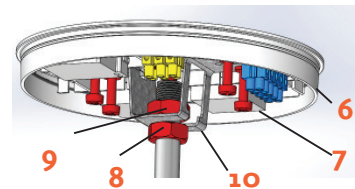
**DE CONTACTEN OP HET AANSLUITBLOK MOETEN STEVIG MET EEN SCHROEVENDRAAIER INGEDUWD WORDEN ZODAT DE DRADEN VERGENOEG IN DE KLEMMEN GESTOKEN KUNNEN WORDEN!**

### 6.2 Installatie Dome met ophangstang



Neem de Dome nooit vast bij de stroomkabel. De interne aansluitingen zouden kunnen losraken en uw Dome onbruikbaar maken.

De ophangstang (2) is op maat gemaakt nadat u de maat van vloer tot plafond hebt doorgegeven bij uw bestelling. Neem deze uit de doos en steek de stroomkabel van de Dome (1) erdoor. Hou de draad tegen en draai de stang op de Dome. (3) Schuif de ring (4) en het deksel (5) over de stang.

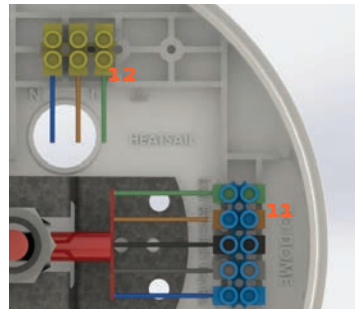


Schroef de plafondplaat (6) vast met 4 vijzen (7). Schroef de 2 moeren (8&9) op de stang maar laat ongeveer 10mm ertussen. Til de complete dome op en hang hem door de opening van de beugel (10), zodat 1 moer aan de bovenkant zit en één eronder. Draai nu beide moeren stevig vast.

#### Electrische aansluiting:

Sluit de kabel van de Dome aan op de klem (11). Sluit ze aan kleur op kleur met de draden die al in de klem zijn aangesloten.

Sluit uiteindelijk de stroom aan op de kleinere klem (12).



## 7. Bediening

Wanneer u de Dome opzet, kan het tot een half uur duren alvorens deze zijn volle warmte bereikt heeft. Ook duurt het tot 40 minuten alvorens het systeem afgekoeld is tot veilige waarden. Indien u een besturing heeft aangeschaft, werkt deze als volgt:



- Knop 1 (Verlichting) : Druk 1 voor aan, 0 voor uit.  
Houd '1' ingedrukt om het dimmen te starten, druk terug op 1 wanneer het gewenste niveau bereikt is om dit vast te zetten
- Knop 2 (Verwarming 1) : Druk 1 voor aan, 0 voor uit
- Knop 3 (Verwarming 2) : Druk 1 voor aan, 0 voor uit
- Knop 'G': Niet gebruikt

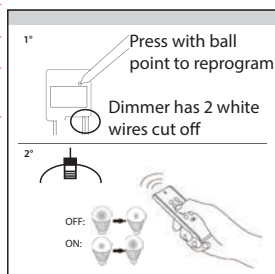
**Geniet van uw zomernachten!**

## 8. Probleemoplossingen

- 1) **De verlichting werkt niet:**  
Schakel de stroom uit. Hef het glas van de Dome naar boven, en ondersteun het glas door er iets onder te zetten. U kan nu veilig aan het halogeen lampje. Controleer of dit goed in zijn houder zit en niet stuk is. Indien dit moet vervangen worden gebruik een standaard R7S lamp, 120 Watt, 78mm. Gebruik een doek of handschoenen om het lampje aan te raken, anders ver kort u de levensduur ervan aanzienlijk.  
Als het probleem niet opgelost is, controleer dan of de blauwe en bruine draad van de Dome goed in het aansluitblok zitten. zie figuur op P 24 of 25.  
Indien nog steeds niet opgelost, probeer dan de afstandbediening opnieuw te programmeren. (zie volgende pagina)
- 2) **Geen verwarming.**  
Geen van de elementen wordt warm. Waarschijnlijk stroomprobleem. Verifieer alle aansluitingen, zie figuur P 24 of 25.
- 3) **Verwarming werkt gedeeltelijk**  
(enkel 2 rechthoekige elementen en het ronde element vanonder of enkel 3 rechthoekige elementen)
  - Zwarte of grijze draad zit niet goed in zie P 24 of 25
  - Open de besturing, en controleer of de modules een 'klik' geluid maken wanneer ze in- of uitgeschakeld worden. Bij aan dient er een klein led lampje te branden op de module.
  - Wanneer er geen 'klik' geluid is, probeer dan de afstandbediening opnieuw te programmeren, zie volgende pagina.  
Er zijn 2 modules, respectievelijk voor heater 1 en 2
- 4) **Niets werkt.**
  - Verifieer alle aansluitingen, zie figuur P 24 of 25.
  - Probeer de afstandbediening opnieuw te programmeren. (zie volgende pagina)

## Herprogrammeren Afstandbediening

### herprogrammeren verlichting



**Open de besturing en localiseer de dimmer module. Deze is herkenbaar aan 2 afgeknipte witte draden. zie tekening**

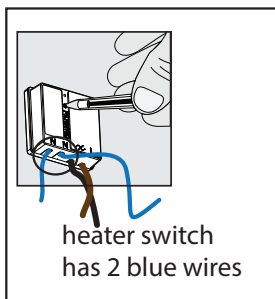
- (1) Schakel de lichtnetspanning in
- (2) Pas op voor blootliggende bedrading
- (3) De LED indicator op de ontvanger zal continu branden als er spanning op staat

#### Afstandbediening aanmelden bij de ontvanger

- (1) Druk 1 seconde op de verbindknop. De zoekmode zal 15 seconden actief zijn en de LED indicator op de ontvanger zal langzaam knipperen.
- (2) Stuur terwijl de zoekmethode actief is een aan-sigitaal met een zender om de desbetreffende zendcode in het geheugen van de ontvanger op te slaan. Normaal is dit de knop '1' links boven. U kan ook een andere knop kiezen.
- (3) De aangesloten verlichting zal 2x aan/uit schakelen om te bevestigen dat de code is opgeslagen.

Herhaal deze procedure om meerdere afstandbedieningen aan te melden, indien gewenst. De ontvanger kan 6 verschillende zendcodes in het geheugen opslaan. Het geheugen blijft behouden als de ontvanger ergens anders geïnstalleerd wordt of als de stroom uit valt.

### Herprogrammeren verwarmingsmodules



**Open de besturing en localiseer de verwarmingsmodules. Deze zijn herkenbaar aan 2 blauwe draden. zie tekening**

- (1) Druk 1 seconde op de verbindknop. De zoekmode zal 15 seconden actief zijn en de LED indicator op de ontvanger zal langzaam knipperen.
- (2) Stuur terwijl de zoekmethode actief is een aan-sigitaal met een zender om de desbetreffende zendcode in het geheugen van de ontvanger op te slaan. Normaal is dit de knop '2' links boven voor verwarming 1 en knop '3' voor verwarming 2. U kan ook een andere knop kiezen.
- (3) Het ledlampje zal continu beginnen branden om te bevestigen dat de code is opgeslagen

Herhaal deze procedure om meerdere afstandbedieningen aan te melden, indien gewenst. De ontvanger kan 6 verschillende zendcodes in het geheugen opslaan. Het geheugen blijft behouden als de ontvanger ergens anders geïnstalleerd wordt of als de stroom uit valt.

# MANUEL D'UTILISATION

Manuel d'utilisation, d'entretien et d'installation.

## ! ATTENTION !

Lire attentivement le manuel avant d'utiliser l'appareil !

Ne jetez pas le manuel, il contient le numéro de série de votre appareil !



Nous vous remercions  
pour votre achat de DOME® !

## Généralités

Le présent manuel d'utilisation est indissociablement lié au DOME® et doit toujours être conservé par l'utilisateur ou par le responsable compétent.

Lisez minutieusement les consignes d'utilisation. Elles contiennent des informations essentielles sur la sécurité, l'utilisation, le nettoyage et l'entretien du DOME®. Heatsail ne peut pas être tenu responsable en cas de dommages causés à des personnes, des animaux et des objets qui seraient dus au non-respect des consignes figurant dans le manuel d'utilisation.

Heatsail se réserve le droit d'apporter, à tout moment et sans information préalable, des modifications au produit, aux caractéristiques techniques ainsi qu'au manuel d'utilisation.

Si vous revendez le DOME®, si vous le cédez à un autre utilisateur ou le laissez sur place lorsque vous déménagez, le manuel doit être laissé à disposition du nouvel utilisateur.

Nous vous souhaitons de longues soirées chaudes et agréables avec notre DOME®!

L'équipe HEATSAIL.

**! Ne jetez pas ce manuel, il contient le numéro de série de votre appareil.**



## 1. Consignes de sécurité électrique & conditions d'utilisation

L'utilisation du DOME® nécessite une installation électrique avec une mise à la terre correcte. La sécurité électrique de l'installation ne peut être assurée que si l'installation est correctement raccordée à un système de mise à la terre réalisé conformément aux consignes de sécurité. Un contrôle préalable est indispensable. En cas de doute, un contrôle minutieux doit être effectué par des personnes qualifiées et autorisées. Heatsail décline toute responsabilité en cas de dommages dus à une installation non reliée à la terre.

L'installation des éléments électriques du DOME® nécessite un raccordement à un réseau de 230V-50/60Hz (fusible de 16 Amp EN 30 mA sur disjoncteur) : le raccordement doit être réalisé correctement, conformément aux normes IEC-CEI en vigueur.  
Attention : des prescriptions légales ou autres peuvent s'appliquer localement.

Avant de réaliser les connexions ou d'autres travaux aux parties électriques, l'alimentation électrique doit être interrompue et il convient de s'assurer que le courant ne peut pas de nouveau être branché par accident.

Pour l'alimentation électrique du DOME®, l'utilisation d'adaptateurs, de multiprises et de rallonges n'est pas autorisée. Un interrupteur doit toujours être installé entre le DOME® et le disjoncteur. Le non-respect de ces consignes peut nuire à la sécurité de l'appareil. Heatsail ne peut pas être tenu responsable des dommages qui en découleraient.

## 2. Sécurité

La **hauteur minimale d'espace libre** du DOME® est de **1,8 mètre**, mesurée à partir du sol jusqu'au-dessous de l'élément chauffant inférieur.

Les enfants de moins de 3 ans doivent être maintenus éloignés du DOME®, sauf sous la surveillance continue d'un adulte.

Les enfants de 3 à 8 ans pourront utiliser le DOME® à condition qu'il soit placé dans sa position de fonctionnement normale et qu'ils aient reçu des consignes claires concernant l'utilisation en toute sécurité du DOME® et qu'ils sachent bien évaluer les dangers. Il leur est interdit de brancher ou débrancher la prise de courant et de nettoyer le DOME® ou d'effectuer des tâches d'entretien.

Le DOME® doit être maintenu hors de portée de toute personne n'étant pas à même d'évaluer les dangers qui peuvent survenir par une (mauvaise) utilisation d'appareils électriques.

**ATTENTION - Le chauffage monte à des températures très élevées et peut provoquer des brûlures. Le DOME® ne peut en aucun cas être touché dès l'instant**

**où il est mis en route.**

**Il convient de faire particulièrement attention lorsque des enfants et des personnes vulnérables sont présents.**

Après l'arrêt, le DOME® reste chaud pendant une durée relativement longue. Ne touchez pas le DOME® pendant une période de 30 minutes suivant l'arrêt. Attention ! La prudence reste de mise. La grille n'offre pas de protection contre la chaleur.

Ne jamais utiliser le DOME® lorsque la vitre est endommagée.

Ne pas utiliser le DOME® avec un minuteur ou un quelconque autre appareil qui permet de mettre l'appareil en route automatiquement, étant donné le risque d'incendie qui existe lorsque le DOME® est mal positionné.

N'utilisez jamais le DOME® à proximité immédiate d'un bain, d'un jacuzzi, d'une douche, d'une piscine ou d'une serre.

Ne placez jamais le DOME® à proximité de rideaux, verrières ou autres éléments inflammables. Ne le recouvrez jamais sans l'avoir préalablement débranché !

Il est interdit de toucher le DOME® avec des parties du corps nues, mouillées ou humides.

Le DOME® est composé de six éléments chauffants rayonnants en céramique montés dans un sens déterminé sur une plaque réfléchissante. Dès que les éléments céramiques commencent à chauffer, la température de service est atteinte dans un délai de 10 minutes. Attention : il n'y a pas d'éclat visible dans la zone à infrarouge.

N'utilisez jamais le DOME® pour allumer quoi que ce soit. Les éléments en céramique sont fragiles et doivent être traités avec la prudence nécessaire. Cela vaut également pour les globes en verre.

Heatsail décline toute responsabilité en cas de dommages dus au non-respect des consignes relatives à l'utilisation et à l'entretien.

## 3. Entretien

### 3.1 Nettoyage

Nettoyage mensuel de votre DOME\*.

Avant de le nettoyer, l'appareil doit être débranché du disjoncteur de l'installation ou la prise doit être retirée. L'appareil peut uniquement être nettoyé avec un chiffon doux et sec. N'utilisez pas de chiffons abrasifs. N'utilisez pas de détergent. Il est interdit d'utiliser un nettoyeur haute pression et/ou à vapeur. Le nettoyage ne peut être effectué que lorsque le DOME\* a entièrement refroidi.

Le non-respect de ces consignes peut nuire à la sécurité de l'appareil. Heatsail décline toute responsabilité en cas de dommages dus au non-respect des consignes relatives au nettoyage.

### 3.2 Remplacement de l'ampoule

Votre DOME\* est livré de manière standard avec une lampe halogène R7S de 230V/120 Watts (78mm). La puissance maximale autorisée est de 120 Watts.

Avant de remplacer cette ampoule, l'appareil doit être débranché du disjoncteur principal de l'installation ou la prise de courant doit être retirée.

Vous pouvez remplacer l'ampoule en glissant prudemment le verre vers le haut. Utilisez un outil, par exemple un tournevis, pour maintenir le verre en position haute. L'ampoule est maintenue en place dans son support par un petit ressort. Retirez l'ampoule en la poussant d'abord vers la droite ou vers la gauche de façon à l'extraire de son support. Remplacez-la par une nouvelle. Faites attention à ne jamais toucher l'ampoule à mains nues, car cela réduit considérablement la durée de vie de l'ampoule.

### 3.3 Inspection

Le DOME\* doit être soumis à une inspection annuelle.

L'utilisateur n'est pas autorisé à effectuer lui-même l'inspection ou des réparations. L'inspection du DOME\* doit exclusivement être effectuée par des personnes qualifiées et autorisées, conformément aux normes en vigueur et aux consignes de Heatsail. Par personnes qualifiées, on entend : des personnes qui ont reçu une formation technique pour l'installation de chauffages extérieurs et qui sont familiarisées avec les lois applicables en matière d'électricité.

Avant d'effectuer des travaux au DOME\*, l'appareil doit être débranché du disjoncteur principal de l'installation ou la prise de courant doit être retirée.

- Toute réparation doit être demandée par le biais de Heatsail.
- Une réparation ne sera valable que si des pièces d'origine sont utilisées.

- En cas de câble défectueux, veuillez renvoyer tout le système de commande après autorisation écrite de Heatsail.

Heatsail décline toute responsabilité en cas de dommages dus au non-respect des consignes relatives à l'entretien.

## 4. Conditions de garantie

### 4.1 Garantie

La facture originale vaut comme preuve de garantie pour la garantie légale de 2 ans. Cette garantie n'annule pas les droits dont bénéficie l'acheteur en vertu de la législation nationale en matière de vente de biens de consommation.

Cette garantie est uniquement valable si l'installation et l'entretien du DOME\* sont réalisés conformément aux normes et directives en vigueur ainsi qu'au manuel d'installation, d'utilisation, d'entretien et de nettoyage du produit réalisés par des personnes qualifiées répondant aux exigences légales.

Le délai de garantie débute à la date de livraison des marchandises.

En principe, le remplacement ou la réparation sont gratuits, les frais d'expédition étant à la charge de l'acheteur, sauf s'il en a été convenu autrement. Les marchandises défectueuses seront renvoyées par l'acheteur, après accord écrit de Heatsail, à ce dernier. Heatsail ne verse pas de dédommagement pour des dommages directs ou indirects causés par ou en rapport avec l'utilisation du produit.

Aucune indemnisation ne sera versée pour la période pendant laquelle le produit ne fonctionne pas.

Les pièces remplacées seront garanties pendant la durée de la période de garantie restante à partir de la livraison des marchandises.

### 4.2 Exclusion de garantie

- Les conditions d'activation de la garantie n'ont pas été respectées.
- Les pièces semblent défectueuses suite à un manque de soin ou une négligence dans l'utilisation ou un mauvais entretien.

- L'installation n'est pas conforme aux normes légales ni aux consignes figurant dans le manuel d'utilisation.
- Les dommages causés par les conditions météorologiques, une action chimique ou électrochimique, une mauvaise utilisation, des catastrophes naturelles, une décharge électrique, un incendie, une installation électrique défectueuse, des modifications ou des dommages causés aux garnitures, à la poignée ou au câblage électrique.
- Tous les dommages dus au transport.

C'est pourquoi nous vous recommandons de vérifier minutieusement les produits à la réception afin de signaler immédiatement tout dommage au vendeur et de l'indiquer sur le document de transport et sur la copie pour le transporteur. Comme notamment :

- Des dommages physiques après l'installation, comme un bris de glace, des griffes, etc. présents sur le DOME® et les accessoires.
- Les bricolages réalisés sur le DOME® et/ou autres causes qui ne seraient pas dues à la fabrication du produit.
- L'utilisation de pièces de rechange qui ne sont pas d'origine.
- Les dommages dus à une usure normale

#### 4.3 Que faire en cas de panne ?

En cas de panne, vous devez vous adresser immédiatement, et dans tous les cas dans les deux mois qui suivent, à Heatsail en vue d'une réparation ou d'un remplacement. La garantie ne pourra être activée qu'après autorisation écrite.

Heatsail décline toute forme de responsabilité pour d'éventuels dommages qui seraient causés directement ou indirectement à des personnes, des animaux ou des objets suite au non-respect des consignes figurant dans le manuel d'utilisation et surtout les avertissements concernant l'installation, l'utilisation et l'entretien de l'appareil.

### 5. Droit applicable – tribunal compétent

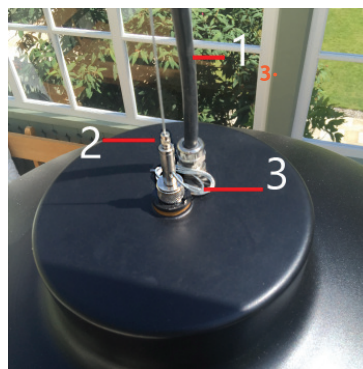
Les conditions générales et le contrat sont régis par le droit belge. Seuls les tribunaux de l'arrondissement judiciaire d'Anvers sont compétents pour prendre connaissance de tout différend découlant du contrat.

### 6. Installation illustrée et schémas de connexion

#### 7. FAQ

### 6. Installation illustrée et schémas de connexion

Système avec câble.



**1.** Ne tenez jamais le Dome par le câble d'alimentation. Les connexions internes pourraient se desserrer et endommager le Dome.

**2.** Déserrez les vis, mais ne les enlevez pas entièrement. En poussant la coupole vers le bas, vous pourrez ajuster la longueur du câble en acier et régler ainsi la hauteur du Dome. La hauteur minimale est de 1.8m au dessus du sol, la hauteur maximale est de 2m. Resserrez les vis.

**3.** Vous pouvez couper le câble s'il serait trop long, mais prenez soin à garder quelques centimètres pour la sécurité.



A l'autre extrémité du câble, il y a une boucle pour la suspension.

Respectez toujours une distance d'au moins 25cm. entre le Dome et le plafond ou autres surfaces.

## Le système de pilotage

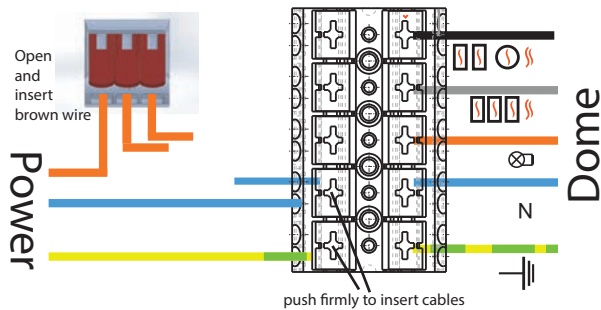
Le système de pilotage consiste en un boîtier noir qui s'installe facilement sur le mur ou au plafond.

Ce système permet d'utiliser une télécommande pour allumer, éteindre et régler la lumière et pour brancher le chauffage en 2 positions.

Le système de pilotage est conforme aux normes IP43. Pour utilisation en plein air (IP65), il est impératif de commander un kit d'étanchéité.

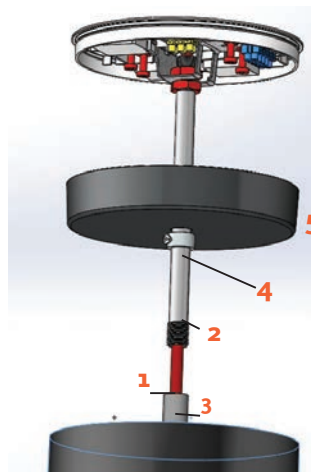
**ATTENTION :** La loi européenne nous interdit l'utilisation de commutateurs électroniques individuels pour brancher et débrancher le chauffage. Il vous faudra donc installer un commutateur individuel pour assurer l'interruption totale du courant.

Ci-dessous les connexions du système de pilotage :



**Veillez à ce que les contacts sur le boîtier soient bien enfoncés à l'aide d'un tournevis pour que les fils puissent être suffisamment enfoncés dans les pinces !**

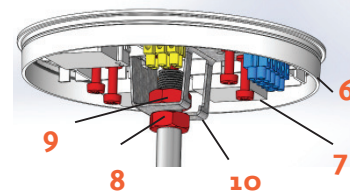
## 6.2 Installation Dome avec tige de suspension



Ne prenez jamais le Dôme par le câble d'alimentation. Les connexions internes pourraient se desserrer et, par conséquent, rendre votre dôme inutilisable.

La tige de suspension (2) est faite sur mesure, à base de la distance entre le sol et le plafond que nous vous demandons lors de votre commande. Sortez-la de la boîte et passez-y le câble d'alimentation du Dôme (1). Vissez la tige sur le Dôme tout en tenant le câble.

Glissez l'anneau (4) et le couvercle (5) par-dessus la tige.

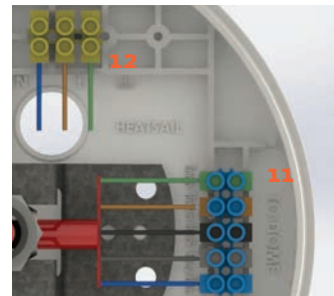


Vissez la plaque plafonnrière (6) à l'aide de 4 vis (7). Vissez les deux écrous (8 et 9) sur la tige, tout en laissant environ 10 mm entre les deux. Soulevez l'ensemble du Dôme et placez-le dans l'ouverture du support, de sorte que le premier écrou est situé en haut et le second en dessous.

Enfin, serrez bien fort les deux écrous. (8&9)

### Connexion électrique:

Connectez le câble du Dome dans le domino électrique (11). Accordez les couleurs aux fils qui sont déjà montés dans le domino. Pour finir, branchez l'alimentation au plus petit domino (12).



## 7. Commande à distance

Lorsque vous allumez le Dome, vous devez compter une demi-heure avant qu'il ait atteint sa puissance maximale. Le refroidissement dure environ 40 minutes.

Fonctionnement de la commande à distance :



Bouton 1 (lumière) : Poussez sur 1 pour allumer, 0 pour éteindre. Appuyez et maintenez le bouton "1" pour varier l'intensité de la lumière. Poussez de nouveau sur 1 pour fixer le niveau désiré.

Bouton 2 (chauffage 1) : Poussez sur 1 pour allumer, 0 pour éteindre

Bouton 3 (chauffage 2) : Poussez sur 1 pour allumer, 0 pour éteindre

Bouton "G" : sans fonction

**Profitez de vos nuits d'été !**

## 8. FAQ

### 1) La lumière ne fonctionne pas :

Débranchez le courant. Soulevez le verre du Dome et soutenez-le en posant un objet. La lampe halogène est maintenant accessible en toute sécurité. Assurez-vous qu'elle est bien fixée et qu'elle n'est pas cassée. Si besoin, remplacez la lampe en utilisant une ampoule standard R7S, 120 watts, 78mm. Faites attention à ne pas toucher l'ampoule à mains nues car cela réduit considérablement sa durée de vie.

Si le problème persiste, vérifiez que le fil bleu et brun de la coupole sont bien fixés dans le boîtier, voir figure p. 40

Si le problème n'est toujours pas résolu, essayez de programmer à nouveau la télécommande (voir page suivante).

### 2) Pas de chauffage :

Si aucun élément chauffant ne fonctionne, il s'agit probablement d'un problème de courant. Vérifiez toutes les connexions, voir schéma p. 40

### 3) Chauffage fonctionne partiellement

(uniquement 2 éléments rectangulaires et l'élément circulaire du bas ou uniquement 3 éléments rectangulaires)

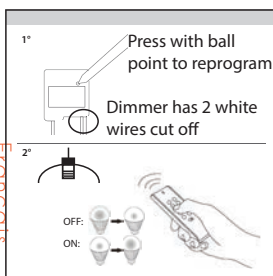
- Le fil noir ou gris n'est pas bien connecté, voir p.40
- Ouvrez la télécommande et vérifiez si vous entendez un "clic" en allumant ou éteignant les modules. A la position allumée, une petite lumière led doit brûler sur le module.
- Si vous n'entendez pas de "clic", essayez de reprogrammer la télécommande, voir prochaine page. Il y a un module différent pour chaque heater (1 et 2).

### 4) Rien ne fonctionne

- Vérifiez toutes les connexions, voir figure pag. 40
- Essayez de reprogrammer la télécommande (voir prochaine page)

## Commande à distance : reprogrammation

### reprogrammation lumière



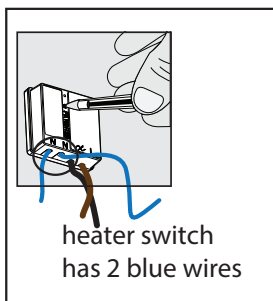
**Ouvrez la télécommande et localisez le module pour la variation de la lumière. Il se reconnaît aux 2 fils blancs coupés.**

- (1) Mettez l'éclairage sous tension
- (2) Attention aux fils dénudés
- (3) L'indicateur LED sur le récepteur restera allumé tant que l'appareil sera sous tension

#### Enregistrez la télécommande sur le récepteur

- (1) Appuyez sur le bouton de liaison pendant 1 seconde. Le mode recherche sera actif pendant 15 secondes et l'indicateur LED sur le récepteur clignotera lentement.
- (2) Envoyez, pendant que le mode recherche est actif, un signal avec un émetteur afin d'enregistrer le code concerné dans la mémoire du récepteur. Normalement, il s'agit du bouton "1" situé en haut à gauche. Vous pouvez aussi choisir un autre bouton.
- (3) L'éclairage raccordé s'allumera et s'éteindra 2 fois pour confirmer que le code a été enregistré.

### Reprogrammation modules chauffants



**Ouvrez la télécommande et localisez les modules pour les éléments chauffants. Ils se reconnaissent aux 2 fils bleus, voir schéma.**

- (1) Appuyez sur le bouton de liaison pendant 1 seconde. Le mode recherche sera actif pendant 15 secondes et l'indicateur LED sur le récepteur clignotera lentement.
- (2) Envoyez, pendant que le mode recherche est actif, un signal avec un émetteur afin d'enregistrer le code concerné dans la mémoire du récepteur. Normalement, il s'agit du bouton "2" situé en haut à gauche pour le chauffage 1, et le bouton "3" pour le chauffage 2. Vous pouvez aussi choisir un autre bouton.
- (3) L'éclairage raccordé s'allumera et s'éteindra 2 fois pour confirmer que le code a été enregistré.

Si vous le souhaitez, répétez cette procédure pour enregistrer plusieurs codes. Le récepteur peut enregistrer 6 codes différents en mémoire. La mémoire reste conservée lorsque le récepteur est initialisé ailleurs ou en cas de panne de courant.

# GEBRAUCHSANLEITUNG

Bedienungs-, Wartungs-, Installationsanleitung.

## ! ACHTUNG !

Die Anleitung vor der Benutzung des Geräts bitte aufmerksam durchlesen!  
Bitte diese Anleitung nicht wegwerfen. In ihr steht die Seriennummer Ihres Geräts!



Wir danken Ihnen für  
Ihren Kauf von DOME®!

## Allgemeines

Diese Gebrauchsanleitung ist fester Bestandteil des DOME® und muss vom Benutzer oder vom befugten Verantwortlichen stets aufbewahrt werden.

Lesen Sie sich die Gebrauchsanleitung aufmerksam durch. Sie enthält wichtige Informationen zu Sicherheit, Benutzung, Reinigung und Wartung des DOME®. Heatsail kann nicht für Schäden an Personen, Tieren und Gegenständen haftbar gemacht werden, die aus der Nichtbeachtung der Vorschriften in der Gebrauchsanleitung resultieren.

Heatsail behält sich das Recht vor, jederzeit und ohne vorherige Mitteilung gegebenenfalls Änderungen am Produkt, an den technischen Merkmalen und an der Gebrauchsanleitung vorzunehmen.

Wenn Sie den DOME® weiterverkaufen, an einen anderen Benutzer übertragen oder bei einem Umzug zurücklassen, muss dem neuen Benutzer die Gebrauchsanleitung zur Verfügung gestellt werden.

Wir wünschen Ihnen viel Wärme und angenehme Abende mit unserem DOME®!

Das HEATSAIL-Team.

! Bitte diese Anleitung nicht wegwerfen. In ihr steht die Seriennummer Ihres Geräts.

## 1. Sicherheitsvorschriften & anforderungen an die Elektrik

Für die Benutzung des DOME® ist eine elektrische Anlage mit ordnungsgemäßer Schutzerdung erforderlich. Die elektrische Sicherheit der Anlage ist nur gewährleistet, wenn die Anlage korrekt am Erdungssystem angeschlossen ist, das gemäß den Sicherheitsvorschriften konstruiert wurde. Es muss eine vorherige Überprüfung stattfinden. Bei Zweifeln muss eine eingehende Kontrolle durch qualifizierte und autorisierte Personen durchgeführt werden. Heatsail ist nicht für Schäden haftbar, die auf eine nicht geerdete Anlage zurückzuführen sind.

Für den Anschluss der elektrischen Komponenten des DOME® ist eine Netzspannung von 230 V, 50/60 Hz erforderlich (16-A-Sicherung UND 30-mA-Fehlerstrom-Schutzschalter): Der Anschluss muss ordnungsgemäß konform den IEC-/CEI-Normen ausgeführt werden.

Hinweis: Lokal können zusätzliche gesetzliche und andere Vorschriften gelten. Bevor Sie die Verbindung oder andere Arbeiten an den elektrischen Komponenten durchführen, muss die Stromversorgung unterbrochen werden, und Sie müssen sich vergewissern, dass der Strom nicht versehentlich wieder eingeschaltet werden kann.

Für die Stromversorgung des DOME® über das Stromnetz ist die Verwendung von Zwischensteckern, Mehrfachsteckdosen und Verlängerungskabeln nicht gestattet. Es muss immer ein Schalter zwischen dem DOME® und dem Sicherungskasten eingebaut werden. Die Nichteinhaltung dieser Vorschriften kann die Sicherheit des Geräts gefährden. Heatsail kann nicht für Schäden, die hieraus resultieren, haftbar gemacht werden.

## 2. Sicherheit

Die **vorgeschriebene lichte Mindesthöhe** des DOME® beträgt **1,8 Meter**, gemessen vom Boden bis zur Unterseite des untersten Heizelements.

Kinder unter drei Jahren sind vom DOME® fernzuhalten, wenn sie nicht von einem Erwachsenen beaufsichtigt werden.

Kinder zwischen drei und achte Jahren dürfen den DOME® nur bedienen, sofern sich dieser in seiner Arbeitsposition befindet, sie klare Anweisungen zur sicheren Benutzung des DOME® erhalten haben und die Gefahren gut einschätzen können. Es ist ihnen nicht erlaubt, den Stecker einzustecken oder herauszuziehen oder den DOME® zu reinigen und zu warten.

Den DOME® außerhalb der Reichweite aller Personen halten, die nicht in der Lage sind, die Gefahren einzuschätzen, die durch die (unzweckmäßige) Verwendung elektrischer Geräte entstehen können.

**ACHTUNG: Die Heizung kann sehr hohe Temperaturen erreichen und Brandwunden verursachen. Der DOME® darf keinesfalls berührt werden, sobald er eingeschaltet ist.**

**Besondere Aufmerksamkeit ist erforderlich, wenn Kinder und schutzbedürftige Personen anwesend sind.**

Nach dem Ausschalten bleibt der DOME noch eine längere Zeit lang warm. Den DOME nach dem Ausschalten 30 Minuten lang nicht berühren. Achtung! Es ist stets Vorsicht geboten. Das Gitter bietet keinen Schutz gegen die Hitze.

Den DOME nie verwenden, wenn das Glas beschädigt ist.

Den DOME nicht mit einem Timer oder irgendeinem anderen Gerät benutzen, das die Heizung automatisch einschalten kann, da die Gefahr eines Brandes besteht, wenn der DOME falsch positioniert ist.

Benutzen Sie den DOME nie in der unmittelbaren Umgebung von Badewanne, Whirlpool, Dusche, Schwimmbad oder Wintergarten.

Stellen Sie den DOME nie in die Nähe von Gardinen, Überdachungen oder anderem brennbaren Material. Decken Sie ihn nie ab, ohne den Stecker aus der Steckdose zu ziehen! Es ist verboten, den DOME mit nackten, nassen oder feuchten Körperteilen zu berühren. Der DOME besteht aus sechs stark strahlenden Keramik-Heizelementen, die in einer bestimmten Richtung auf einer Reflektorplatte angebracht sind. Sobald die Keramikelemente sich aufzuheizen beginnen, wird die maximale Betriebstemperatur innerhalb von zehn Minuten erreicht. Achtung: Im Infrarotbereich ist keine Glut wahrnehmbar.

Benutzen Sie den DOME nie, um etwas anzuzünden. Die Keramikelemente sind zerbrechlich und müssen mit gebotener Vorsicht behandelt werden. Dies gilt ebenfalls für das Gehäuse aus Glas.

Heatsail ist nicht haftbar für Schäden, die aus der Nichtbeachtung der Vorschriften zu Nutzung und Wartung resultieren.

## 3. Wartung

### 3.1 Reinigung



Der DOME\* muss jeden Monat gereinigt werden.

Bevor Sie ihn reinigen, muss die Stromversorgung mithilfe des Hauptschalters der Anlage getrennt werden, oder indem der Stecker gezogen wird. Gereinigt werden darf nur mit einem trockenen, weichen Tuch. Verwenden Sie weder Scheuerlappen noch Reinigungsmittel. Der Einsatz von Hochdruck- und/oder Dampfreinigern ist verboten. Der DOME\* darf erst gereinigt werden, wenn er vollständig abgekühlt ist.

Die Nichtbeachtung dieser Vorschriften kann die Sicherheit des Geräts gefährden. Heatsail ist nicht für Schäden haftbar, die aufgrund der Nichteinhaltung der Vorschriften zur Reinigung entstehen.

### 3.2 Austausch der Leuchte

Ihr DOME\* wird standardmäßig mit einer R7s-Halogenleuchte mit 230 V/120 W (78 mm) geliefert. Die zulässige Maximalleistung beträgt 120 W.

Bevor Sie diese Leuchte austauschen, muss die Stromversorgung mithilfe des Hauptschalters der Anlage getrennt werden, oder indem der Stecker gezogen wird.

Die Leuchte lässt sich austauschen, indem man das Glas vorsichtig hochschiebt. Verwenden Sie ein Werkzeug, z. B. einen Schraubenzieher, um dieses Glas oben zu halten. Die Leuchte wird in ihrer Halterung durch eine kleine Feder festgehalten. Nehmen Sie die Leuchte heraus, indem Sie diese erst nach links oder rechts drücken, sodass sie sich aus der Halterung löst. Setzen Sie danach eine andere hinein. Achten Sie darauf, dass Sie die Halogenleuchte selbst nie mit bloßen Fingern anfassen, da dies die Haltbarkeit der Leuchte erheblich verringert.

### 3.3 Kontrolle

Der DOME\* muss einer jährlichen Kontrolle unterzogen werden.

Der Benutzer ist nicht befugt, eigenhändig Kontrollen und Reparaturen durchzuführen. Die Kontrolle des DOME\* darf nur von qualifizierten und autorisierten Personen gemäß den geltenden Normen und Vorschriften von Heatsail ausgeführt werden. Mit qualifizierten Personen sind solche gemeint, die eine technische Ausbildung für die Installation von Außenheizungen erhalten haben und die geltenden Elektrizitätsgesetze kennen.

Bevor Arbeiten am DOME\* durchgeführt werden, muss die Stromversorgung mithilfe des Hauptschalters der Anlage getrennt werden, oder indem der Stecker gezogen wird.

- Jede Reparatur muss bei Heatsail beantragt werden.
- Eine Reparatur gilt nur als korrekt, wenn Originalersatzteile verwendet werden.
- Bei einem defekten Kabel bitte die gesamte Bedieneinheit nach schriftlicher Genehmigung von Heatsail zurückschicken.

Heatsail ist nicht haftbar für Schäden, die aus der Nichtbeachtung der Vorschriften zur Wartung resultieren.

## 4. Gewährleistungsbedingungen

### 4.1 Gewährleistung

Die Originalrechnung gilt als Garantiebeleg für die gesetzliche Gewährleistung von zwei Jahren. Diese besteht unbeschadet der Rechte des Käufers aufgrund von nationalen Gesetzen bezüglich des Verkaufs von Konsumgütern.

Diese Gewährleistung gilt nur, wenn Installation und Wartung des DOME\* gemäß den geltenden Normen und Vorschriften sowie der Anleitung für Installation, Benutzung, Wartung und Reinigung des Produkts durch qualifizierte Personen erfolgt sind, die die gesetzlichen Auflagen erfüllen.

Die Gewährleistungsfrist beginnt ab dem Datum der Lieferung der Waren.

Austausch und Reparatur erfolgen grundsätzlich kostenlos. Sofern nicht anders vereinbart, gehen die Versandkosten zulasten des Käufers. Defekte Waren hat der Käufer nach schriftlicher Genehmigung durch Heatsail an die Firma zu senden. Heatsail leistet keine Erstattung für direkte oder Folgeschäden aufgrund von oder im Zusammenhang mit der Benutzung des Produkts.

Für die Zeit, in der das Produkt nicht funktioniert, wird keine Entschädigung gewährt.

In Bezug auf die ersetzten Teile läuft die Gewährleistung für die restliche Gewährleistungsfrist ab dem Datum der Lieferung der Waren.

### 4.2 Ausschluss der Gewährleistung

- Die Bedingungen zur Inanspruchnahme der Gewährleistung wurden nicht eingehalten.
- Es stellt sich heraus, dass die Bauteile aufgrund von Nachlässigkeit oder Fahrlässigkeit beim Gebrauch oder aufgrund falscher Wartung defekt sind.
- Die Installation ist nicht gemäß den gesetzlichen Normen und nicht gemäß den Vorschriften in der Gebrauchsanleitung erfolgt.
- Schäden aufgrund von Witterungsumständen, chemischer und elektrochemischer Einwirkung, unzureichender Verwendung, Naturkatastrophen, elektrischer Entladung, Brand, einer defekten elektrischen Anlage, Veränderungen oder Schäden an Sicherungen, dem Handgriff und der elektrischen Verkabelung.
- Alle Transportschäden.

Daher empfehlen wir Ihnen, die Waren bei Erhalt genau zu prüfen, dem Verkäufer eventuelle Schäden umgehend mitzuteilen und auf dem Transportdokument sowie auf der Kopie für den Transporteur zu vermerken. Dazu zählen unter anderem:

- Physische Schäden nach der Installation wie Glasbruch, Schrammen u. Ä. am DOME\* und an seinem Zubehör.
- Arbeiten am DOME\* und/oder andere Ursachen, die nicht auf die Herstellung des Produkts zurückzuführen sind.
- Die Verwendung anderer als der Originalersatzteile.
- Schäden aufgrund von normalem Verschleiß.

#### 4.3 Was tun bei einem Defekt?

Bei einem Defekt wenden Sie sich umgehend und nicht später als zwei Monate nach dessen Auftreten zum Zweck einer Reparatur oder eines Austauschs an Heatsail. Nur nach schriftlicher Genehmigung kann das Gewährleistungsverfahren eingeleitet werden.

Heatsail lehnt jede Form von Haftung für eventuelle Schäden ab, die Personen, Tieren oder Gegenständen zugefügt werden, weil die Vorschriften in der Gebrauchsanleitung nicht eingehalten wurden, insbesondere jene, die Warnhinweise zur Installation, Benutzung und Wartung des Geräts betreffen.

#### 5. Geltendes Recht – zuständiges Gericht

Die Geschäftsbedingungen und der Vertrag unterliegen belgischem Recht. Ausschließlich die Gerichte des Gerichtsbezirks Antwerpen sind zuständig, um über jegliche Streitigkeit, die sich aus dem Vertrag ergibt, zu entscheiden.

#### 6. Installations- & Anschlusschema in Bildern

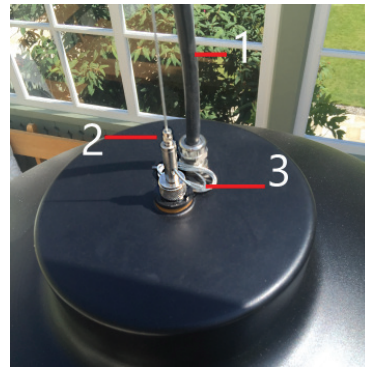
##### 7. Betrieb

##### 8. Störungssuche

## 6. Bildliche Installation

Öffne die Box und befolge diese Anweisungen für eine schnelle Installation.

6.1 Wenn du die Haube mit Aufhängestange gekauft hast gehe weiter auf Seite 53, sonst weiter:



1. Halte die Dome niemals am Stromkabel. Die internen Verbindungen könnten sich locker und du musst die Dome zurückbringen
2. Schraube die Haube mit ein paar Umdrehungen ab, Aber lass sie dran. Es hat eine eingebaute Befestigung Durch Herunterdrücken der Haube kannst du das Stahlkabel und die Höhe der Dome anpassen. Die erforderliche Mindesthöhe beträgt 1,8m über dem Boden, die maximale Höhe ist 2 m. Fixiere die Haube wieder wenn du fertig bist.



3. Das Kabel kann geschnitten werden, wenn es zu lang ist. Lass zur Sicherheit ein paar Zentimeter.  
Die andere Seite des Kabels hat eine Schleife, so dass man die Dome leicht an verschiedene Arten von Decken aufhängen kann. Hänge die Dome niemals näher als 25cm von der Decke, Wänden oder Anderen Gegenständen entfernt auf.

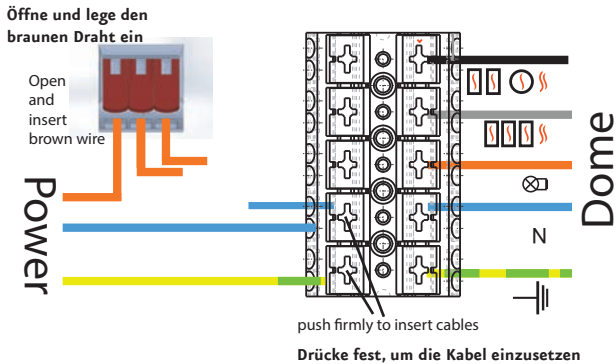
## Anschließen der Kontrollbox:

Die Steuerbox ist ein schwarzer Fall, das Sie leicht an der Wand oder an der Decke befestigen können.

Es hat den Vorteil einer Fernbedienung, die Sie das Licht und seine Intensität lässt steuern, und schaltet die Heizung auf zwei Ebenen. Die Steuerbox hat ein IP43-Rating, wenn Sie die Box im Freien verwenden, werden Sie über ein zusätzliches Gelenk bestellen müssen, um die Box IP65 zu machen. Das Gelenk wird im Abschnitt passen. Der Absatz schließt mit 6 Schrauben geliefert.

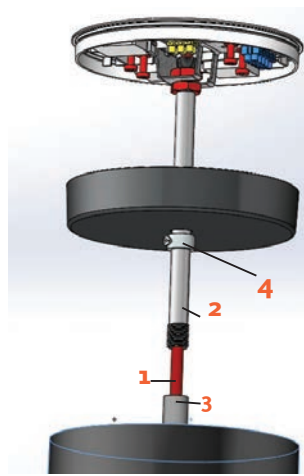
**ACHTUNG:** Da aus europäischem Recht verboten ist auf einem elektronisches Mittel angewiesen Heizungen ein- und ausschalten zu wechseln, so dass Sie benötigen einen separaten Strom installieren schalt Weiter unten in der Spur.

Die Verbindung der Kontrollbox für die Anhänger-Version ist wie folgt:



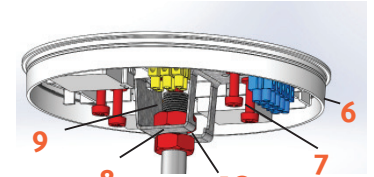
**DRÜCKE MIT EINEM SCHRAUBENZIEHER FEST AUF DEN VERBINDUNGSBLOCK, DIE KABEL SOLLTEN LEICHT EINZUSETZEN SEIN!**

## 6.2 Wenn die Haube mit Aufhängestange gekauft wurde:



Die Dome darf niemals am Netzkabel gehalten werden, da sich die internen Anschlüsse lösen könnten und die Haube müsste zurückgeben werden.

die Aufhängestange (2) ist für den Aufbau, wenn Du die Höhe vom Boden bis zur Decke bei deiner Bestellung mit angegeben hast, nehme das Gerät aus der Verpackung und lege das Kabel (1) von der Haube dadurch, während du das Kabel still hältst, Schraube den Rundstab auf die Haube (3) schiebe den Ring (4) und die Abdeckung (5) über den Rundstab.



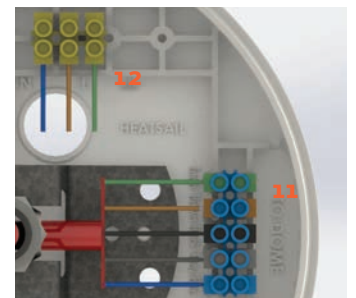
Befestige nun die obere Platte (6) mit 4 Schrauben an der Decke (7). Setze die beiden Muttern (8 & 9) auf den Rundstab, Aber lass in etwa 1cm zwischen ihnen offen. Jetzt hebe die komplette Dome hoch und hänge die Dome auf den Klammern (10) mit einer Mutter unten und einer oben auf (10).

## Elektrische Verbindung:

Schließlich schließe das Kabel aus der Dome an die Anschluss-Box. Passe die Kabelfarben der Drähte mit den bereits an der Klemmleiste angeschlossen an. (11)

Schließe nun an den 3-Stift Verbindungsblock Strom an, unter der Berücksichtigung der Farben der Kabel, die bereits angeschlossen sind. (12)

Ziehe nun die beiden Muttern fest an.



## 7. Betrieb

Es dauert bis zu 30 Minuten vor dem Dome es volle Temperatur erreicht. Auch wenn der Schalter ist ausgeschaltet, kann es bis zu 40 Minuten dauern, bis die Dome vollständig abgekühlt ist.

### Fernbedienung



#### **TASTE 1 (Licht):**

Drücke 1, um einzuschalten, 0 zum Ausschalten.

Halte '1' zum Dimmen, drücke die 1 wieder, um das Dimmen zu beenden.

#### **Taste 2**

(HEIZUNG 1): Drücke 1, um einzuschalten, 0 zum Ausschalten.

#### **Taste 3**

(HEIZER 2): 1 zum Einschalten drücken, 0 zum Ausschalten.

#### **Taste G : Nicht gebraucht**

**Genießen Sie Ihren DOME!**

## 8. Störungssuche

- 1) Das Licht funktioniert nicht:

Strom ausschalten. Hebe das Glas der Haube nach oben, lege etwas darunter, um es nach oben zu halten. Jetzt besteht Zugriff auf die Halogen-Glühlampe. Stelle sicher, dass sie gut eingelegt ist und nicht defekt. Wenn die Glühlampe gewechselt werden muss, ersetze sie mit einer Standard R7S 78 mm, 120 W. Verwende ein Tuch oder Handschuhe, um die Glühbirne zu ersetzen, die Berührung mit den Händen verkürzt die Lebensdauer beträchtlich. Wenn das Problem nicht behoben ist, vergewissere dich, dass die blauen und braunen Drähte gut in den Verbindungsblock eingelegt sind. Siehe Bild auf S. 52. Wenn es noch nicht funktioniert, versuche die Fernbedienung neu zu programmieren. (Siehe nächste Seite)

- 2) Keine Hitze (Keiner der Heizelemente funktioniert) Wahrscheinlich gibt es keinen Strom. Vergewissere dich, dass alle Drähte gut angeschlossen sind. (Siehe S. 52)

- 3) Heizung funktioniert nur teilweise.

(entweder 3 Seitenelemente oder 2 Seitenelemente und Bodenelement)

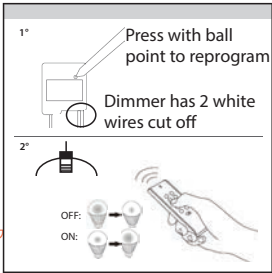
- Schwarzer oder grauer Draht nicht gut verbunden. Siehe S. 52
- Öffne den Kontrollkasten, vergewissere dich, dass beim Öffnen des Moduls ein Klick ertönt, wenn es an oder aus geschaltet wird. Wenn es an ist, sollte ein kleines rotes Licht auf dem Modul erscheinen.
- Ist kein "Klick" zu hören, versuche, das Modul neu zu programmieren, siehe nächste Seite. "Es gibt 3 Module in der Steuerbox, 2 sind genau gleich und verantwortlich für Heizgerät 1 und 2.

- 4) Nichts funktioniert.

- Vergewissere dich, dass alle Drähte gut angeschlossen und in den Steckverbinder gesteckt sind. Siehe S. 52
- Versuche, die Fernbedienung neu zu programmieren (siehe nächste Seite)

## Erneute Programmierung der Fernbedienung

Drücke mit Kugelschreiber, um neu zu programmieren



**Öffnen Sie die Kontroll-Box und suchen Sie das Dimmer-Modul. Es hat 2 abgeschnittene weiße Drähte.**

- (1) Netzspannung einschalten
- (2) Achte auf jegliche exponierte Verkabelung
- (3) Die LED-Anzeige am Empfänger leuchtet dauerhaft, wenn Strom fließt. leuchtet die LED-Anzeige nicht, ist das Licht entweder nicht angeschlossen oder die Glühlampe ist defekt!

**Sender mit den Empfängern registrieren**

- (1) Drücke die Verbindungstaste für 1 Sekunde mit einem Stift. Der Suchmodus wird 15 Sekunden lang aktiviert sein und die LED-Anzeige am Empfänger wird langsam blinken.
- (2) Sende ein an-Signal durch Drücken der "1 - ON"-Taste auf der Fernbedienung während der Suchmodus aktiv ist, um den entsprechenden Übertragungscode im Speicher des Empfängers zu speichern. Dies ist normalerweise die Schaltfläche oben links.

Du kannst auch eine andere Schaltfläche auswählen.

- (3) die angeschlossenen Lichter schalten sich 2x ein/ aus, um zu bestätigen, dass der Code gespeichert wurde.

Wiederhole diesen Vorgang, wenn gewünscht, um mehrere Fernbedienungen zu registrieren. die Empfänger kann 6 verschiedene Sendecodes in seinem Speicher speichern. der Speicher

bleibt erhalten, wenn man den Empfänger irgendwo anders installiert oder wenn der Strom ausgeschaltet ist.

Öffne die Steuerbox und suche die Heizungsschalter.

Du hast jeweils 2 blaue Drähte.

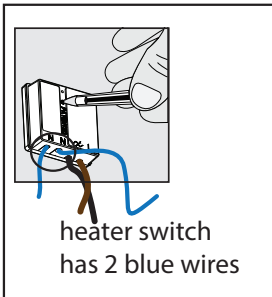
- (1) Netzspannung einschalten
- (2) Achte auf jegliche exponierte Verkabelung Registrierung der Fernbedienungen mit den Schaltern
- (1) Drücke die Verbindungstaste für 1 Sekunde mit einem Stift. Der Suchmodus wird 15 Sekunden lang aktiviert sein und die LED-Anzeige am Empfänger wird langsam blinken.
- (2) sende ein an-Signal durch Drücken von "2 - ON" für Heizung 1 und "3 - ON"

-Taste für Heizung 2 auf der Fernbedienung während der Suchmodus aktiv ist, um den entsprechenden Übertragungscode im Speicher des Empfängers zu speichern. normalerweise wird es die Taste oben links sein. Du kannst auch eine andere Schaltfläche auswählen.

Das LED-Licht auf dem Modul schaltet sich an, um den Code der gespeichert wurde

Wiederhole diesen Vorgang, um mehrere Fernbedienungen zu registrieren, falls dies erforderlich ist. Der Empfänger kann 6 verschiedene Übertragungscode in seinem Speicher speichern. Der Speicher wird beibehalten, wenn Du den Empfänger irgendwo anders installieren oder wenn der Strom ausgeschaltet ist.

Erneute Programmierung der Heizmodule



Heizungsschalter hat 2 blaue Kabel



heatsail  
Extend your great moments

**Heatsail IP bvba**  
Waesdonckstraat 1  
2640 Mortsel  
BELGIUM

+32 (0)3 502 99 88 [info@heatsail.com](mailto:info@heatsail.com)

[www.heatsail.com](http://www.heatsail.com)

**SERIAL NUMBER**

serienummer / numéro de série / Seriennummer  
numero di serie / número de serie